

SH SERIES

CENTRIFUGAL PUMPS MANUFACTURED IN AISI 316 STAINLESS STEEL IN COMPLIANCE WITH EN 733 - (ex DIN 24255)

Laser-technology welded centrifugal pumps.
Designed to handle hot, cold and moderately aggressive liquids.

APPLICATIONS

- Water circulation and transfer in the civil, industrial and agricultural markets.
- Industrial washing.
- Pressure boosting.
- Hot and cold water circulation for heating and conditioning systems.

AVAILABLE MODELS

- **SHE** close-coupled with special motor shaft extension.
- **SHS** with stub shaft and standard motor.
- **SHF** with flexible coupling, base and standard motor in compliance with EN 733 - (ex DIN 24255).
- **SSH** 25-125, 160, 200, 250 on request.

SPECIFICATIONS

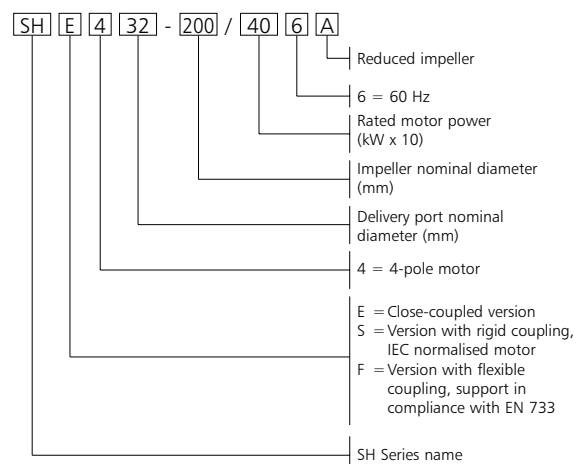
- **Maximum delivery** up to **240 m³/h.**
- **Maximum head** up to **110 m.**
- 316L stainless steel, laser-welded impeller (up to 65-160 size) and pump body.
- **AISI 316L** stainless steel wear rings.
- **Port nominal diameter** up to **DN 80.**
- **Impeller nominal diameter** up to **250 mm.**
- 2- and 4-pole three-phase motors.
- 50 and 60 Hz frequencies.
- Counterflanges available on request.
- IP55 protection.
- Class F insulation.
- **Maximum operating pressure: 12 bar (PN12).**
- Pumped **liquid temperature -10°C to +110°C.**
- **Versions with HYDROVAR frequency converter (variable speed) are available on request.**



TABLE OF MATERIALS

| PART | MATERIAL |
|--------------------------------------|--|
| Pump body, Seal housing, Impeller | STAINLESS STEEL |
| Wear ring | AISI 316L - DIN 1.4404 |
| Counterwear ring | |
| Adapter | ALUMINIUM OR DIN GG20 CAST IRON |
| Mechanical seal | CERAMIC/CARBON/FPM |
| O-Ring | FPM |
| Fill/drain plugs | STAINLESS STEEL AISI 316L-DIN 1.4404 |
| Shaft (SHE - SHF), Coupling (SHS) | STAINLESS STEEL AISI 316 - DIN 1.4401 |
| Support body (SHF) | DIN GG20 CAST IRON |

IDENTIFICATION CODE



ELECTRICAL SPECIFICATIONS MOTORS WITH EXTENDED SHAFT FOR SHE SERIES

SINGLE-PHASE 50 Hz 2 POLES MOTORS

| MOTOR TYPE | | | INPUT CURRENT In (A) 220-240 V | CAPACITOR | | DATA FOR 230 V 50 Hz | | | | | |
|------------|---------------|------------------------|--------------------------------------|-----------|-----|----------------------|---------|------|------|----------|-------|
| kW | IEC SIZE * | CONSTRUCTION DESIGN | | μF | V | rpm | Is / In | n % | cosφ | Cn Nm | Cs/Cn |
| 1.1 | 90R | B14 | 7.07-6.81 | 30 | 450 | 2800 | 3.80 | 73.8 | 0.95 | 3.75 | 0.47 |

* R = Reduced size of motor casing as compared to shaft extension and flange.

she-motm-2p50_a_te

THREE-PHASE 50 Hz 2 POLES MOTORS

| MOTOR TYPE | | | INPUT CURRENT In (A) | | | | DATA FOR 400 V 50 Hz | | | | | |
|------------|---------------|------------------------|-------------------------|-----------|-----------|-----------|----------------------|---------|------|------|----------|-------|
| kW | IEC SIZE * | CONSTRUCTION DESIGN | Δ | | Y | | rpm | Is / In | n % | cosφ | Cn Nm | Cs/Cn |
| | | | 220-240 V | 380-415 V | 380-415 V | 660-690 V | | | | | | |
| 0.75 | 90R | B14 | 3.72 | 2.15 | - | - | 2915 | 8.23 | 77.7 | 0.65 | 2.45 | 5.20 |
| 1.1 | 90R | B14 | 4.52 | 2.61 | - | - | 2875 | 6.78 | 78.9 | 0.77 | 3.65 | 3.49 |
| 1.5 | 90R | B14 | 5.98 | 3.45 | - | - | 2875 | 7.04 | 80.1 | 0.78 | 4.98 | 3.83 |
| 2.2 | 90R | B14 | 8.71 | 5.03 | - | - | 2860 | 7.32 | 81.1 | 0.78 | 7.34 | 4.12 |
| 3 | 90 | B14 | 10.8 | 6.22 | - | - | 2845 | 6.81 | 80.4 | 0.87 | 10.1 | 3.00 |
| 4 | 112R | B14 | - | - | 8.14 | 4.70 | 2900 | 7.86 | 83.5 | 0.85 | 13.2 | 2.86 |
| 5.5 | 112 | B14 | - | - | 11.0 | 6.35 | 2910 | 7.71 | 84.5 | 0.85 | 18.0 | 2.66 |
| 7.5 | 112 | B14 | - | - | 14.6 | 8.43 | 2910 | 7.62 | 87.2 | 0.85 | 24.6 | 3.03 |
| 9.2 | 132 | B14 | - | - | 17.5 | 10.1 | 2925 | 8.72 | 86.3 | 0.88 | 30.0 | 3.33 |
| 11 | 132 | B14 | - | - | 21.2 | 12.2 | 2925 | 8.75 | 88.8 | 0.84 | 35.9 | 3.66 |
| 15 | 160 | B34 | - | - | 28.6 | 16.5 | 2940 | 8.56 | 85.3 | 0.89 | 48.7 | 3.10 |
| 18.5 | 160 | B34 | - | - | 34.2 | 19.7 | 2945 | 8.80 | 87.3 | 0.90 | 60.0 | 4.06 |
| 22 | 160 | B34 | - | - | 40.3 | 23.3 | 2945 | 8.61 | 89.5 | 0.88 | 71.2 | 4.79 |

* R = Reduced size of motor casing as compared to shaft extension and flange.

she-mott-2p50_a_te

THREE-PHASE 50 Hz 4 POLES MOTORS

| MOTOR TYPE | | | INPUT CURRENT In (A) | | | | DATA FOR 400 V 50 Hz | | | | | |
|------------|---------------|------------------------|-------------------------|-----------|-----------|-----------|----------------------|---------|------|------|----------|-------|
| kW | IEC SIZE * | CONSTRUCTION DESIGN | Δ | | Y | | rpm | Is / In | n % | cosφ | Cn Nm | Cs/Cn |
| | | | 220-240 V | 380-415 V | 380-415 V | 660-690 V | | | | | | |
| 0.25 | 71 | B5 | 1.71 | 0.99 | - | - | 1390 | 3.58 | 62.0 | 0.59 | 1.71 | 3.16 |
| 0.37 | 71 | B5 | 2.53 | 1.46 | - | - | 1370 | 3.39 | 61.4 | 0.60 | 2.57 | 3.40 |
| 0.55 | 90R | B14 | 3.03 | 1.75 | - | - | 1390 | 3.95 | 68.2 | 0.67 | 3.77 | 2.45 |
| 0.75 | 90R | B5 | 4.04 | 2.33 | - | - | 1395 | 4.06 | 70.1 | 0.66 | 5.13 | 2.73 |
| 1.1 | 90 | B5 | 4.35 | 2.51 | - | - | 1415 | 4.65 | 78.0 | 0.81 | 7.42 | 2.15 |
| 1.5 | 90 | B5 | 5.85 | 3.38 | - | - | 1420 | 4.99 | 79.9 | 0.80 | 10.1 | 2.26 |
| 2.2 | 100 | B5 | 8.28 | 4.78 | - | - | 1410 | 5.53 | 81.4 | 0.82 | 14.9 | 2.52 |
| 3 | 100 | B5 | 11.0 | 6.37 | - | - | 1425 | 6.03 | 82.5 | 0.82 | 20.1 | 2.53 |
| 4 | 112 | B5 | - | - | 8.38 | 4.84 | 1440 | 5.81 | 84.8 | 0.81 | 26.5 | 2.50 |
| 5.5 | 132 | B14 | - | - | 11.3 | 6.52 | 1445 | 5.98 | 85.8 | 0.82 | 36.3 | 2.60 |
| 7.5 | 132 | B14 | - | - | 15.2 | 8.78 | 1450 | 6.70 | 88.1 | 0.81 | 49.3 | 3.17 |
| 9.2 | 132 | B14 | - | - | 19 | 11.0 | 1445 | 5.63 | 87.9 | 0.80 | 60.7 | 2.80 |

* R = Reduced size of motor casing as compared to shaft extension and flange.

she-mott-4p50_a_te



ELECTRICAL SPECIFICATIONS STANDARD MOTORS FOR SHS - SHF SERIES

THREE-PHASE 50 Hz 2 POLES MOTORS

| MOTOR TYPE | | | | INPUT CURRENT | | | | DATA FOR 400 V 50 Hz | | | | | |
|------------|---------------|---------------|-----|----------------|----------------|----------------|----------------|----------------------|---------|------|------|----------|-------|
| kW | IEC SIZE * | CONSTRUCTION | | In (A) | | | | rpm | Is / In | n % | cosφ | Cn Nm | Cs/Cn |
| | | DESIGN SHS | SHF | Δ 220-240 V | Y 380-415 V | Δ 380-415 V | Y 660-690 V | | | | | | |
| 0.75 | 80R | B5 | - | 3.50 | 2.02 | - | - | 2855 | 5.81 | 74.3 | 0.72 | 2.51 | 3.76 |
| 0.75 | 80 | - | B3 | 3.72 | 2.15 | - | - | 2915 | 8.23 | 77.7 | 0.65 | 2.45 | 5.20 |
| 1.1 | 80 | B5 | B3 | 4.52 | 2.61 | - | - | 2875 | 6.78 | 78.9 | 0.77 | 3.65 | 3.49 |
| 1.5 | 90R | B5 | - | 5.98 | 3.45 | - | - | 2875 | 7.04 | 80.1 | 0.78 | 4.98 | 3.83 |
| 1.5 | 90 | - | B3 | 5.66 | 3.27 | - | - | 2875 | 6.40 | 76.5 | 0.87 | 4.98 | 2.71 |
| 2.2 | 90R | B5 | - | 8.71 | 5.03 | - | - | 2860 | 7.32 | 81.1 | 0.78 | 7.34 | 4.12 |
| 2.2 | 90 | - | B3 | 8.02 | 4.63 | - | - | 2870 | 6.94 | 80.0 | 0.86 | 7.32 | 2.85 |
| 3 | 100R | B5 | - | 10.8 | 6.22 | - | - | 2845 | 6.81 | 80.4 | 0.87 | 10.1 | 3.00 |
| 3 | 100 | - | B3 | 10.6 | 6.10 | - | - | 2895 | 6.53 | 83.6 | 0.85 | 9.89 | 3.34 |
| 4 | 112R | B5 | - | - | - | 8.14 | 4.70 | 2900 | 7.86 | 83.5 | 0.85 | 13.2 | 2.86 |
| 4 | 112 | - | B3 | - | - | 8.21 | 4.74 | 2915 | 7.41 | 82.2 | 0.86 | 13.1 | 2.58 |
| 5.5 | 132R | B5 | - | - | - | 11.0 | 6.35 | 2910 | 7.71 | 84.5 | 0.85 | 18.0 | 2.66 |
| 5.5 | 132 | - | B3 | - | - | 10.7 | 6.18 | 2905 | 6.53 | 84.4 | 0.88 | 18.1 | 2.39 |
| 7.5 | 132R | B5 | - | - | - | 14.6 | 8.43 | 2910 | 7.62 | 87.2 | 0.85 | 24.6 | 3.03 |
| 7.5 | 132 | - | B3 | - | - | 14.4 | 8.31 | 2915 | 7.37 | 85.8 | 0.88 | 24.6 | 2.69 |
| 11 | 160 | B35 | B3 | - | - | 21.6 | 12.5 | 2925 | 6.83 | 82.4 | 0.89 | 35.9 | 2.97 |
| 15 | 160 | B35 | B3 | - | - | 28.6 | 16.5 | 2940 | 8.56 | 85.3 | 0.89 | 48.7 | 3.10 |
| 18.5 | 160 | B35 | B3 | - | - | 34.2 | 19.7 | 2945 | 8.80 | 87.3 | 0.90 | 60.0 | 4.06 |
| 22 | 180R | B35 | - | - | - | 40.3 | 23.3 | 2945 | 8.61 | 89.5 | 0.88 | 71.2 | 4.79 |
| 22 | 180 | - | B3 | - | - | 42.0 | 24.2 | 2930 | 7.10 | 90.0 | 0.84 | 71.0 | 2.50 |
| 30 | 200 | B35 | B3 | - | - | 55.0 | 31.8 | 2945 | 6.80 | 90.5 | 0.87 | 97.0 | 2.40 |
| 37 | 200 | B35 | B3 | - | - | 67.0 | 38.7 | 2940 | 7.20 | 91.5 | 0.87 | 120 | 2.50 |
| 45 | 225 | - | B3 | - | - | 81.0 | 46.8 | 2955 | 6.70 | 91.3 | 0.88 | 145 | 2.40 |
| 55 | 250 | - | B3 | - | - | 98.0 | 56.6 | 2960 | 6.70 | 92.1 | 0.88 | 177 | 2.40 |
| 75 | 280 | - | B3 | - | - | 134 | 77.4 | 2965 | 6.80 | 92.8 | 0.87 | 241 | 2.30 |

* R = Reduced size of motor casing as compared to shaft extension and flange.

shs-shf-mott-2p50_a_te

ELECTRICAL SPECIFICATIONS STANDARD MOTORS FOR SHS - SHF SERIES

THREE-PHASE 50 Hz 4 POLES MOTORS

| MOTOR TYPE | | | | INPUT CURRENT | | | | DATA FOR 400 V 50 Hz | | | | | |
|------------|---------------|--------------|-----|---------------|-----------|-----------|-----------|----------------------|---------|------|------|----------|-------|
| kW | IEC SIZE * | CONSTRUCTION | | In (A) | | | | rpm | Is / In | n % | cosφ | Cn Nm | Cs/Cn |
| | | SHS | SHF | Δ | Y | Δ | Y | | | | | | |
| | | | | 220-240 V | 380-415 V | 380-415 V | 660-690 V | | | | | | |
| 0.25 | 71 | - | B3 | 1.71 | 0.99 | - | - | 1390 | 3.58 | 62.0 | 0.59 | 1.71 | 3.16 |
| 0.37 | 71 | - | B3 | 2.53 | 1.46 | - | - | 1370 | 3.39 | 61.4 | 0.60 | 2.57 | 3.40 |
| 0.55 | 80 | B5 | B3 | 3.03 | 1.75 | - | - | 1390 | 3.95 | 68.2 | 0.67 | 3.77 | 2.45 |
| 0.75 | 80 | B5 | B3 | 4.04 | 2.33 | - | - | 1395 | 4.06 | 70.1 | 0.66 | 5.13 | 2.73 |
| 1.1 | 90 | B5 | B3 | 4.35 | 2.51 | - | - | 1415 | 4.65 | 78.0 | 0.81 | 7.42 | 2.15 |
| 1.5 | 90 | B5 | B3 | 5.85 | 3.38 | - | - | 1420 | 4.99 | 79.9 | 0.8 | 10.1 | 2.26 |
| 2.2 | 100 | B5 | B3 | 8.28 | 4.78 | - | - | 1410 | 5.53 | 81.4 | 0.82 | 14.9 | 2.52 |
| 3 | 100 | B5 | B3 | 11.0 | 6.37 | - | - | 1425 | 6.03 | 82.5 | 0.82 | 20.1 | 2.53 |
| 4 | 112 | B5 | B3 | - | - | 8.38 | 4.84 | 1440 | 5.81 | 84.8 | 0.81 | 26.5 | 2.50 |
| 5.5 | 132 | B5 | B3 | - | - | 11.3 | 6.52 | 1445 | 5.98 | 85.8 | 0.82 | 36.3 | 2.60 |
| 7.5 | 132 | B5 | B3 | - | - | 15.2 | 8.78 | 1450 | 6.70 | 88.1 | 0.81 | 49.3 | 3.17 |
| 9.2 | 132 | B5 | B3 | - | - | 19.0 | 11.0 | 1445 | 5.63 | 87.9 | 0.80 | 60.7 | 2.80 |

* R = Reduced size of motor casing as compared to shaft extension and flange.

shs-shf-mott-4p50_a_te

SHE - SHS - SHF SERIES
HYDRAULIC PERFORMANCE TABLE at 2900 rpm 50 Hz, 2 POLES

| PUMP TYPE | POWER | | Q = DELIVERY | | | | | | | | | | | | | | | | | | | | |
|---------------|-------|-------------------|---------------------------------------|------|------|------|------|------|------|------|------|------|------|------|------|------|------|------|------|------|------|------|------|
| | | | H = TOTAL HEAD METERS COLUMN OF WATER | | | | | | | | | | | | | | | | | | | | |
| | | | l/min | 0 | 100 | 150 | 200 | 250 | 300 | 400 | 500 | 600 | 700 | 800 | 1000 | 1200 | 1400 | 1600 | 1800 | 2000 | 2500 | 3000 | 3500 |
| | | m ³ /h | 0 | 6 | 9 | 12 | 15 | 18 | 24 | 30 | 36 | 42 | 48 | 60 | 72 | 84 | 96 | 108 | 120 | 150 | 180 | 210 | 228 |
| | | kW | HP | | | | | | | | | | | | | | | | | | | | |
| 32-125/07 * | 0,75 | 1 | 16,6 | 15,6 | 14,4 | 13 | 11,3 | 9,5 | | | | | | | | | | | | | | | |
| 32-125/11 * | 1,1 | 1,5 | 21,6 | 20,6 | 19,4 | 18 | 16 | 14 | 9,8 | | | | | | | | | | | | | | |
| 32-160/15 * | 1,5 | 2 | 26,7 | 25 | 23,5 | 21,5 | 19,5 | 17 | 11,7 | | | | | | | | | | | | | | |
| 32-160/22 * | 2,2 | 3 | 35 | 33,6 | 32,5 | 31 | 29 | 26,5 | 21 | | | | | | | | | | | | | | |
| 32-200/30 * | 3 | 4 | 43,7 | 40,7 | 38,5 | 36 | 33 | 30 | 21 | | | | | | | | | | | | | | |
| 32-200/40 * | 4 | 5,5 | 53,5 | 51 | 49 | 47 | 44 | 41 | 32,3 | | | | | | | | | | | | | | |
| 32-250/55 * | 5,5 | 7,5 | 58,6 | 55,5 | 53,4 | 51 | 48 | 44,5 | 36,8 | | | | | | | | | | | | | | |
| 32-250/75 * | 7,5 | 10 | 74 | 71 | 68,9 | 66 | 63 | 60 | 52 | | | | | | | | | | | | | | |
| 32-250/110* | 11 | 15 | 86 | 82,5 | 80,1 | 77,5 | 74,3 | 71 | 63 | | | | | | | | | | | | | | |
| 40-125/11 | 1,1 | 1,5 | 15,1 | | | | 13,5 | 12,8 | 11,3 | 9,5 | 7,5 | | | | | | | | | | | | |
| 40-125/15 | 1,5 | 2 | 18,7 | | | | 17 | 16,5 | 14,8 | 13 | 10,7 | 8,2 | | | | | | | | | | | |
| 40-125/22 | 2,2 | 3 | 24,2 | | | | 23 | 22,2 | 20,5 | 18,3 | 15,8 | 13,2 | | | | | | | | | | | |
| 40-160/30 | 3 | 4 | 32,2 | | | | 30,5 | 29,5 | 27 | 24 | 20,8 | 17 | | | | | | | | | | | |
| 40-160/40 | 4 | 5,5 | 38 | | | | 36,5 | 35,5 | 33 | 30 | 26,5 | 22,8 | 18,5 | | | | | | | | | | |
| 40-200/55 | 5,5 | 7,5 | 49,1 | | | | 47,5 | 46,4 | 43,5 | 40,5 | 36 | 31 | 25 | | | | | | | | | | |
| 40-200/75 | 7,5 | 10 | 58,2 | | | | 56 | 55,1 | 52,5 | 49 | 45 | 40 | 34,4 | | | | | | | | | | |
| 40-250/** | 11 | 15 | 65 | | | | 63 | 62 | 60 | 56 | 52 | 44,6 | | | | | | | | | | | |
| 40-250/110 | 11 | 15 | 75 | | | | 72 | 71 | 69 | 66 | 61 | 55 | | | | | | | | | | | |
| 40-250/150 | 15 | 20 | 88 | | | | 85 | 84 | 82 | 78 | 74 | 69 | 63 | | | | | | | | | | |
| 50-125/22 | 2,2 | 3 | 17,2 | | | | | | | 15,5 | 14,6 | 13,6 | 12,3 | 9,5 | 6,5 | | | | | | | | |
| 50-125/30 | 3 | 4 | 21,7 | | | | | | | 20 | 18,8 | 17,6 | 16,4 | 13,5 | 10,5 | | | | | | | | |
| 50-125/40 | 4 | 5,5 | 25,7 | | | | | | | 24 | 23,3 | 22,2 | 21 | 18 | 15 | 12 | | | | | | | |
| 50-160/55 | 5,5 | 7,5 | 34,1 | | | | | | | 32 | 30,6 | 29 | 27,6 | 24 | 19,9 | 14,7 | | | | | | | |
| 50-160/75 | 7,5 | 10 | 40,8 | | | | | | | 38,5 | 37,5 | 36 | 34,7 | 31,2 | 27 | 21,8 | | | | | | | |
| 50-200/** | 11 | 15 | 53 | | | | | | | 49,5 | 47,5 | 45 | 42,8 | 37 | 29,8 | 20,7 | | | | | | | |
| 50-200/110 | 11 | 15 | 60,1 | | | | | | | 57 | 55 | 53 | 50,3 | 44,4 | 37,4 | 28,4 | | | | | | | |
| 50-250/150 | 15 | 20 | 70 | | | | | | | 68 | 67 | 65 | 63 | 58 | 51 | | | | | | | | |
| 50-250/185 | 18,5 | 25 | 80 | | | | | | | 76 | 75 | 73 | 71 | 66 | 60 | | | | | | | | |
| 50-250/220 | 22 | 30 | 89 | | | | | | | 86 | 85 | 83 | 81 | 76 | 69 | 61 | | | | | | | |
| 65-160/40 | 4 | 5,5 | 19,6 | | | | | | | | | | | 16,8 | 15,2 | 13,5 | 11,7 | 9,7 | 7,6 | | | | |
| 65-160/55 | 5,5 | 10 | 24,2 | | | | | | | | | | | 21,4 | 19,8 | 18 | 16 | 14 | 11,8 | | | | |
| 65-160/75 | 7,5 | 5,5 | 28,2 | | | | | | | | | | | 26 | 24,5 | 23 | 21 | 19 | 16,9 | 14,5 | | | |
| 65-160/** | 11 | 15 | 38,2 | | | | | | | | | | | 35,4 | 33 | 30 | 27 | 23,7 | 20 | | | | |
| 65-160/110 | 11 | 15 | 42,9 | | | | | | | | | | | 40,8 | 38,5 | 35,5 | 32,5 | 29 | 25,5 | 21,4 | | | |
| 65-200/150 | 15 | 20 | 53 | | | | | | | | | | | 50 | 47,5 | 44,5 | 40,5 | 36,5 | 32 | | | | |
| 65-200/185 | 18,5 | 25 | 60 | | | | | | | | | | | 57,5 | 55 | 52 | 48,7 | 44,7 | 40 | 35,4 | | | |
| 65-200/220 | 22 | 30 | 68 | | | | | | | | | | | 65,5 | 63 | 60 | 57 | 53,5 | 49 | 41,8 | | | |
| 65-250/300 | 30 | 40 | 84 | | | | | | | | | | | 83 | 81,7 | 80 | 77 | 73 | 69 | 64 | | | |
| 65-250/370 | 37 | 50 | 97 | | | | | | | | | | | 97 | 95,3 | 93 | 90 | 86 | 82 | 78 | | | |
| 80-160/110 | 11 | 15 | 33 | | | | | | | | | | | | | | 31,9 | 30,6 | 29,2 | 27,5 | 25,6 | 20,5 | 14,5 |
| 80-160/150 | 15 | 20 | 39,6 | | | | | | | | | | | | | | 38,8 | 37,6 | 36,3 | 34,5 | 32,8 | 27,5 | 21,5 |
| 80-160/185 | 18,5 | 25 | 46,5 | | | | | | | | | | | | | | 45,7 | 44,7 | 43 | 41,5 | 40 | 35 | 29 |
| 80-200/220 | 22 | 30 | 52 | | | | | | | | | | | | | | | | | | 50,5 | 49 | 47,5 |
| 80-200/300 | 30 | 40 | 62 | | | | | | | | | | | | | | | | | | 62 | 60,5 | 59 |
| 80-200/370 | 37 | 50 | 70 | | | | | | | | | | | | | | | | | | 70 | 69 | 68 |
| 80-250/450*** | 45 | 61 | 82 | | | | | | | | | | | | | | | | | | 81 | 80 | 78 |
| 80-250/550*** | 55 | 75 | 94 | | | | | | | | | | | | | | | | | | 94 | 93 | 91 |
| 80-250/750*** | 75 | 100 | 110 | | | | | | | | | | | | | | | | | | 111 | 109 | 108 |

* DN 25 available with the same performance of DN 32
 ** /92 in the SHE version
 /110 in the SHS-SHF version
 *** F version available only

SHS

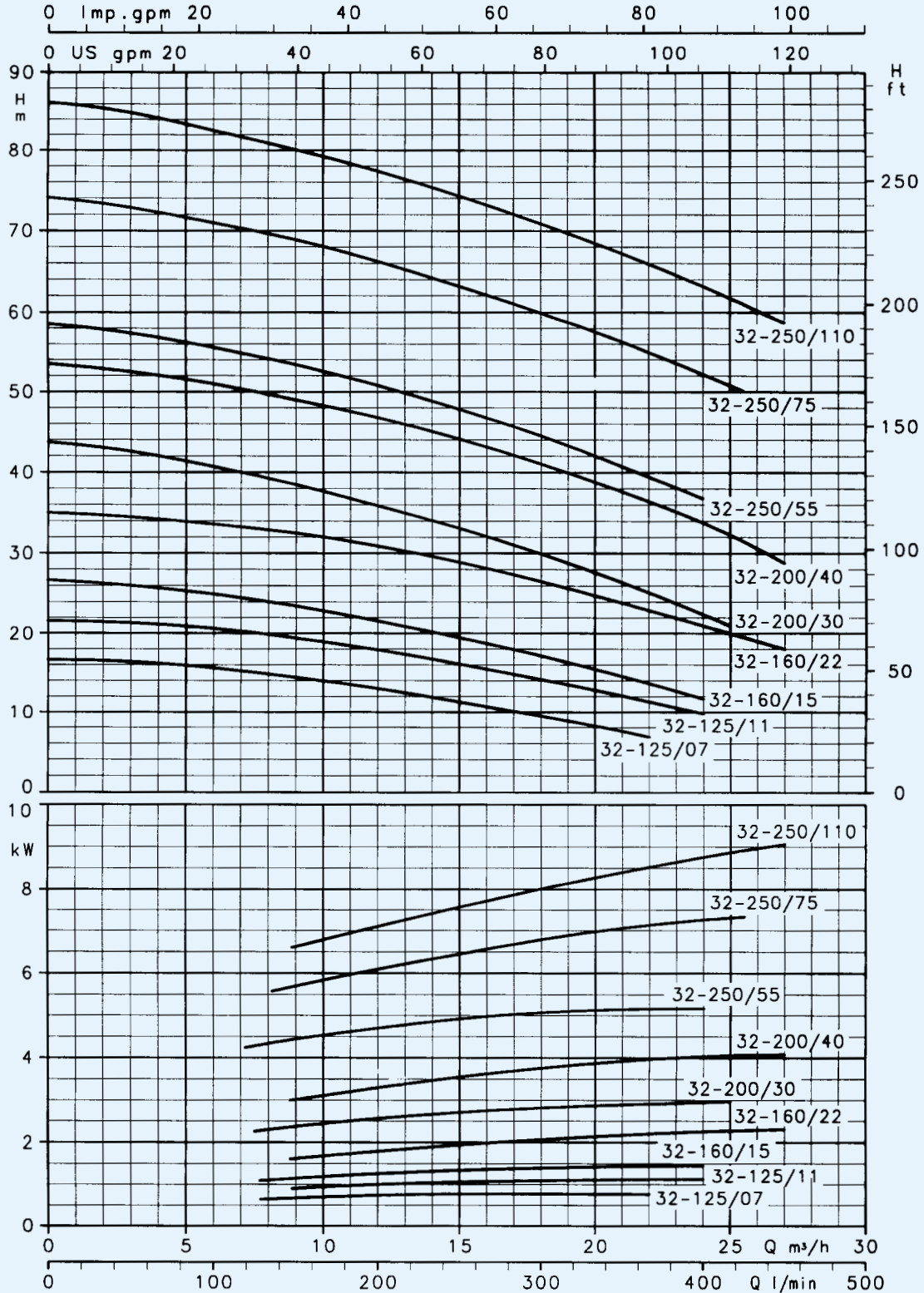
SHE - SHS - SHF SERIES
HYDRAULIC PERFORMANCE TABLE at 1450 rpm 50 Hz, 4 POLES

| PUMP TYPE | POWER | | Q = DELIVERY | | | | | | | | | | | | | | | | | | | | |
|-------------|-------|---------------------------------------|--------------|------|------|------|------|------|------|------|------|------|------|------|------|------|------|------|------|------|------|------|------|
| | | | l/min | 0 | 50 | 75 | 100 | 125 | 150 | 175 | 200 | 250 | 300 | 400 | 500 | 600 | 700 | 800 | 1000 | 1200 | 1500 | 1800 | 2200 |
| | | | m³/h | 0 | 3 | 4,5 | 6 | 7,5 | 9 | 10,5 | 12 | 15 | 18 | 24 | 30 | 36 | 42 | 48 | 60 | 72 | 90 | 108 | 132 |
| | | H = TOTAL HEAD METERS COLUMN OF WATER | | | | | | | | | | | | | | | | | | | | | |
| | | KW | HP | | | | | | | | | | | | | | | | | | | | |
| 32-125/02A* | 0,25 | 0,33 | 4,4 | 4,1 | 3,9 | 3,6 | 3,2 | 2,7 | 2,2 | 1,6 | | | | | | | | | | | | | |
| 32-125/02 * | 0,5 | 0,33 | 5,5 | 5,2 | 5 | 4,7 | 4,3 | 3,8 | 3,3 | 2,7 | | | | | | | | | | | | | |
| 32-160/02 * | 0,25 | 0,33 | 6,9 | 6,3 | 5,9 | 5,4 | 4,9 | 4,4 | 3,7 | 2,9 | | | | | | | | | | | | | |
| 32-160/03 * | 0,37 | 0,5 | 8,6 | 8,2 | 7,8 | 7,4 | 6,9 | 6,4 | 5,8 | 5,2 | 3,6 | | | | | | | | | | | | |
| 32-200/03 * | 0,37 | 0,5 | 10,8 | 10 | 9,4 | 8,7 | 7,9 | 7 | 6,1 | 5,1 | | | | | | | | | | | | | |
| 32-200/05 * | 0,55 | 0,75 | 13,2 | 12,5 | 12 | 11,4 | 10,6 | 9,8 | 8,8 | 7,8 | 5,4 | | | | | | | | | | | | |
| 32-250/07 * | 0,75 | 1 | 14,5 | 13,6 | 13 | 12,3 | 11,6 | 10,8 | 9,9 | 8,9 | 6,5 | | | | | | | | | | | | |
| 32-250/11 * | 1,1 | 1,5 | 18,4 | 17,5 | 16,8 | 16,1 | 15,3 | 14,4 | 13,5 | 12,5 | 10,2 | | | | | | | | | | | | |
| 32-250/15 * | 1,5 | 2 | 21,3 | 20,3 | 19,7 | 19 | 18,2 | 17,4 | 16,3 | 15,2 | 12,8 | | | | | | | | | | | | |
| 40-125/02A | 0,25 | 0,33 | 4 | | | | 3,6 | 3,5 | 3,3 | 3,1 | 2,7 | 2,1 | | | | | | | | | | | |
| 40-125/02 | 0,25 | 0,33 | 5,4 | | | | 5 | 4,8 | 4,6 | 4,4 | 3,9 | 3,3 | 2 | | | | | | | | | | |
| 40-125/03 | 0,37 | 0,5 | 6,3 | | | | 5,9 | 5,7 | 5,5 | 5,2 | 4,7 | 4 | 2,7 | | | | | | | | | | |
| 40-160/03 | 0,37 | 0,5 | 8 | | | | 7,4 | 7,2 | 6,9 | 6,6 | 5,9 | 5,1 | 3,1 | | | | | | | | | | |
| 40-160/05 | 0,55 | 0,75 | 9,2 | | | | 8,7 | 8,5 | 8,2 | 7,9 | 7,2 | 6,4 | 4,4 | | | | | | | | | | |
| 40-200/07 | 0,75 | 1 | 11,9 | | | | 11,5 | 11,2 | 10,8 | 10,5 | 9,7 | 8,6 | 5,8 | | | | | | | | | | |
| 40-200/11 | 1,1 | 1,5 | 14,2 | | | | 13,5 | 13,3 | 13 | 12,7 | 11,8 | 10,8 | 8 | | | | | | | | | | |
| 40-250/11 | 1,1 | 1,5 | 15,6 | | | | 14,9 | 14,6 | 14,3 | 14 | 13 | 11,9 | | | | | | | | | | | |
| 40-250/15 | 1,5 | 2 | 18,1 | | | | 17,3 | 17 | 16,7 | 16,4 | 15,5 | 14,5 | 11,4 | | | | | | | | | | |
| 40-250/22 | 2,2 | 3 | 21,5 | | | | 20,7 | 20,3 | 20 | 19,7 | 18,8 | 17,7 | 14,8 | | | | | | | | | | |
| 50-125/03A | 0,37 | 0,5 | 4,4 | | | | | | | 4,2 | 4 | 3,8 | 3,3 | 2,7 | 2 | | | | | | | | |
| 50-125/03 | 0,37 | 0,5 | 5,4 | | | | | | | 5 | 4,8 | 4,6 | 4 | 3,3 | 2,6 | 1,8 | | | | | | | |
| 50-125/05 | 0,55 | 0,75 | 6,4 | | | | | | | 6 | 5,8 | 5,6 | 5 | 4,3 | 3,6 | 2,8 | | | | | | | |
| 50-160/07 | 0,75 | 1 | 8,2 | | | | | | | 7,8 | 7,6 | 7,3 | 6,7 | 5,9 | 4,9 | 3,8 | | | | | | | |
| 50-160/11 | 1,1 | 1,5 | 9,9 | | | | | | | 9,3 | 9,1 | 8,8 | 8,2 | 7,4 | 6,6 | 5,4 | | | | | | | |
| 50-200/11 | 1,1 | 1,5 | 12,8 | | | | | | | 12,1 | 11,7 | 11,2 | 10 | 8,6 | 6,8 | 4,8 | | | | | | | |
| 50-200/15 | 1,5 | 2 | 14,7 | | | | | | | 13,9 | 13,6 | 13 | 11,8 | 10,4 | 8,7 | 6,6 | | | | | | | |
| 50-250/22A | 2,2 | 3 | 17,5 | | | | | | | 16,8 | 16,4 | 16 | 15 | 13,8 | 12 | 9,7 | | | | | | | |
| 50-250/22 | 2,2 | 3 | 19,4 | | | | | | | 18,5 | 18,2 | 17,8 | 16,8 | 15,5 | 13,8 | 11,6 | | | | | | | |
| 50-250/30 | 3 | 4 | 21,9 | | | | | | | 21,3 | 20,9 | 20,5 | 19,6 | 18,4 | 16,8 | 14,7 | | | | | | | |
| 65-160/05 | 0,55 | 0,75 | 5,4 | | | | | | | | | | 4,2 | 3,7 | 3,3 | 2,7 | 2,2 | | | | | | |
| 65-160/07 | 0,75 | 1 | 6,4 | | | | | | | | | | 5,3 | 4,8 | 4,4 | 3,8 | 3,4 | | | | | | |
| 65-160/11A | 1,1 | 1,5 | 7,6 | | | | | | | | | | 6,5 | 6,1 | 5,7 | 5,1 | 4,6 | 3,4 | | | | | |
| 65-160/11 | 1,1 | 1,5 | 9,4 | | | | | | | | | | 8,5 | 7,9 | 7,2 | 6,3 | 5,5 | 3,4 | | | | | |
| 65-160/15 | 1,5 | 2 | 10,6 | | | | | | | | | | 9,7 | 9,2 | 8,5 | 7,7 | 6,9 | 4,9 | | | | | |
| 65-200/15 | 1,5 | 2 | 11,8 | | | | | | | | | | 11 | 10,2 | 9,4 | 8,4 | 7,4 | 5,1 | | | | | |
| 65-200/22 | 2,2 | 3 | 14,4 | | | | | | | | | | 13,5 | 12,8 | 12 | 11 | 10 | 7,9 | | | | | |
| 65-200/30 | 3 | 4 | 17,5 | | | | | | | | | | 16,8 | 16,3 | 15,6 | 14,7 | 13,8 | 11,7 | 9,3 | | | | |
| 65-250/40 | 4 | 5,5 | 20,4 | | | | | | | | | | 20 | 19,5 | 18,9 | 18 | 17,3 | 15,1 | 12 | | | | |
| 65-250/55 | 5,5 | 7,5 | 23,7 | | | | | | | | | | 23,7 | 23,2 | 22,6 | 22 | 21 | 19 | 16,3 | | | | |
| 80-160/15 | 1,5 | 2 | 8 | | | | | | | | | | | 7,6 | 7,2 | 6,8 | 6 | 5,1 | 3,6 | | | | |
| 80-160/22A | 2,2 | 2 | 9,4 | | | | | | | | | | | 9 | 8,7 | 8,3 | 7,5 | 6,6 | 5 | 3,2 | | | |
| 80-160/22 | 2,2 | 3 | 10,8 | | | | | | | | | | | 10,4 | 10,1 | 9,7 | 9 | 8 | 6,4 | 4,5 | | | |
| 80-200/30 | 3 | 4 | 12,3 | | | | | | | | | | | 12,5 | 12,2 | 11,8 | 10,8 | 9,8 | 8 | 6,1 | | | |
| 80-200/40 | 4 | 5,5 | 15,4 | | | | | | | | | | | 15,8 | 15,5 | 15,2 | 14,3 | 13,3 | 11,6 | 9,7 | 7 | | |
| 80-250/55 | 5,5 | 7,5 | 20,3 | | | | | | | | | | | 20 | 19,7 | 19,3 | 18,4 | 17,4 | 15,2 | 12,4 | | | |
| 80-250/75 | 7,5 | 10 | 22,6 | | | | | | | | | | | 22,6 | 22,3 | 22 | 21,3 | 20,3 | 18,5 | 16,1 | 12,2 | | |
| 80-250/92 | 9,2 | 12,5 | 26,7 | | | | | | | | | | | 26,5 | 26,3 | 26 | 25,2 | 24,2 | 22,3 | 20,2 | 16,8 | | |

* DN 25 available with the same performances of DN 32



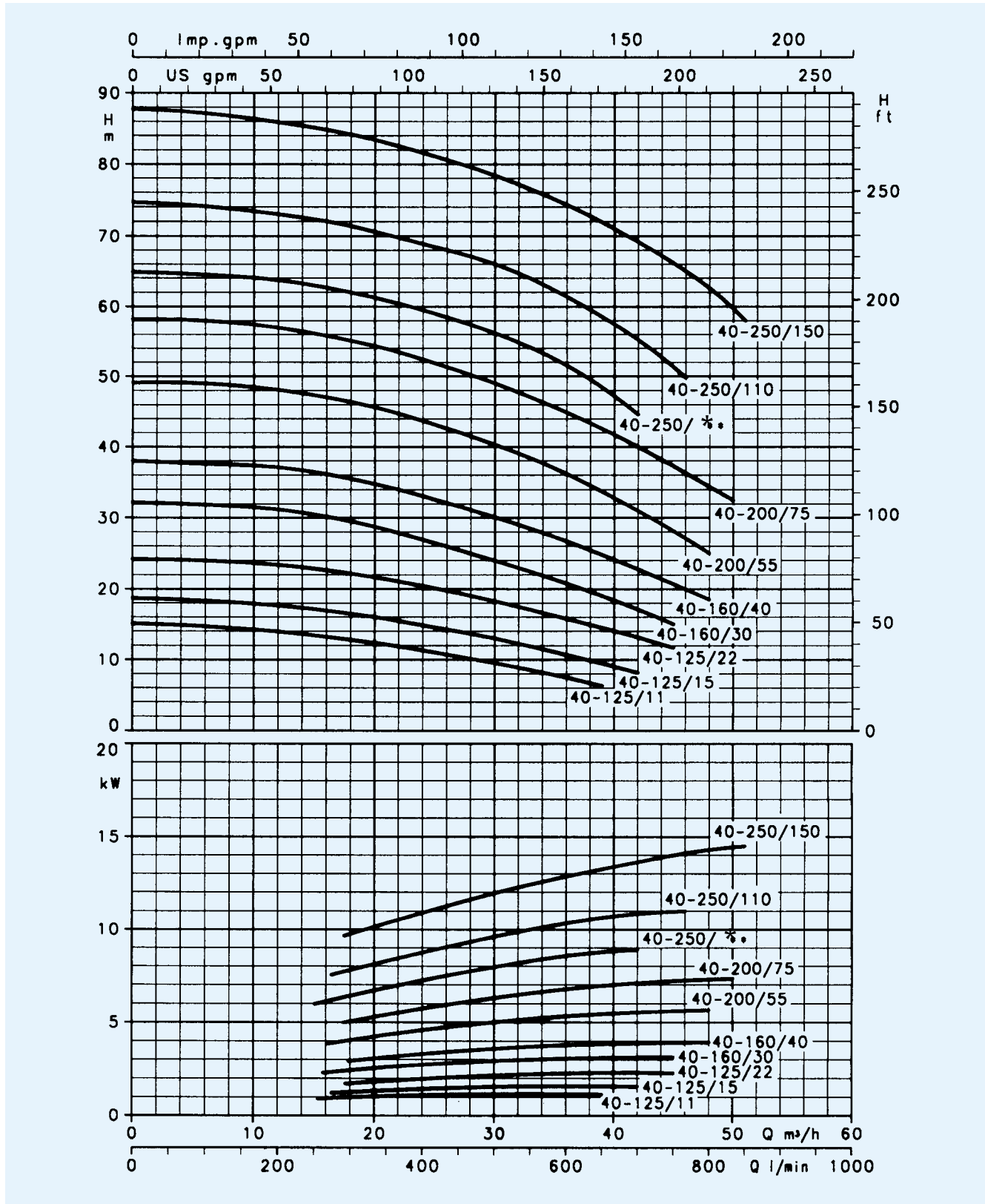
**SH 25 - SH 32 SERIES
 OPERATING CHARACTERISTICS at 2900 rpm 50 Hz, 2 POLES**



Please verify with the price list the availability of model type SHE-SHS-SHF
 These performances are valid for liquids with density $\rho = 1.0 \text{ kg/dm}^3$ and kinematic viscosity $\gamma = 1 \text{ mm}^2/\text{sec}$.

SH

SH 40 SERIES
OPERATING CHARACTERISTICS at 2900 rpm 50 Hz, 2 POLES



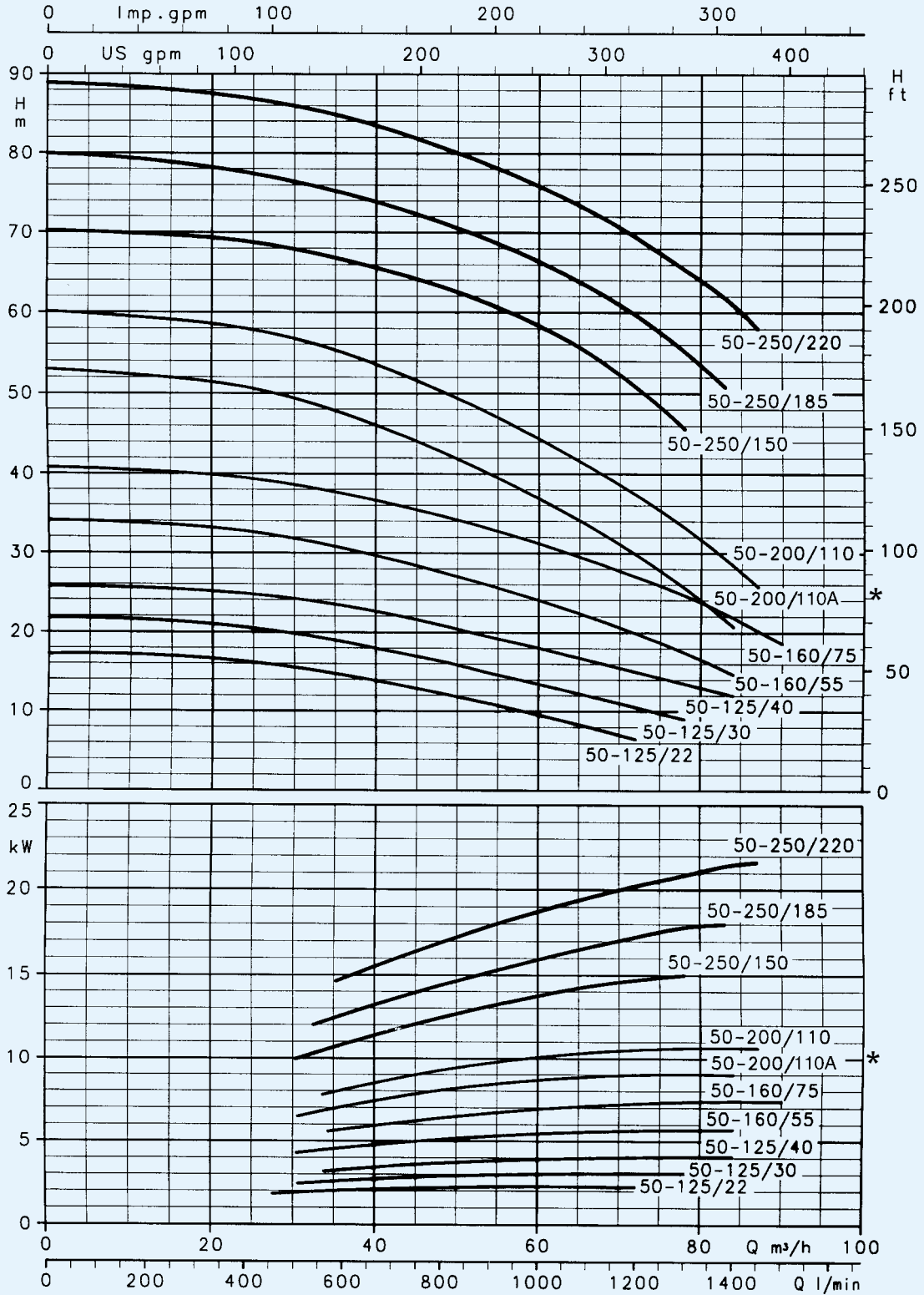
* /92 - 9,2 kW - 12,5 HP for version SHE - /110A - 11 kW - 15 HP for version SHS-SHF

Please verify with the price list the availability of model type SHE-SHS-SHF

These performances are valid for liquids with density $\rho = 1.0 \text{ kg/dm}^3$ and kinematic viscosity $\gamma = 1 \text{ mm}^2/\text{sec}$.



SH 50 SERIES OPERATING CHARACTERISTICS at 2900 rpm 50 Hz, 2 POLES

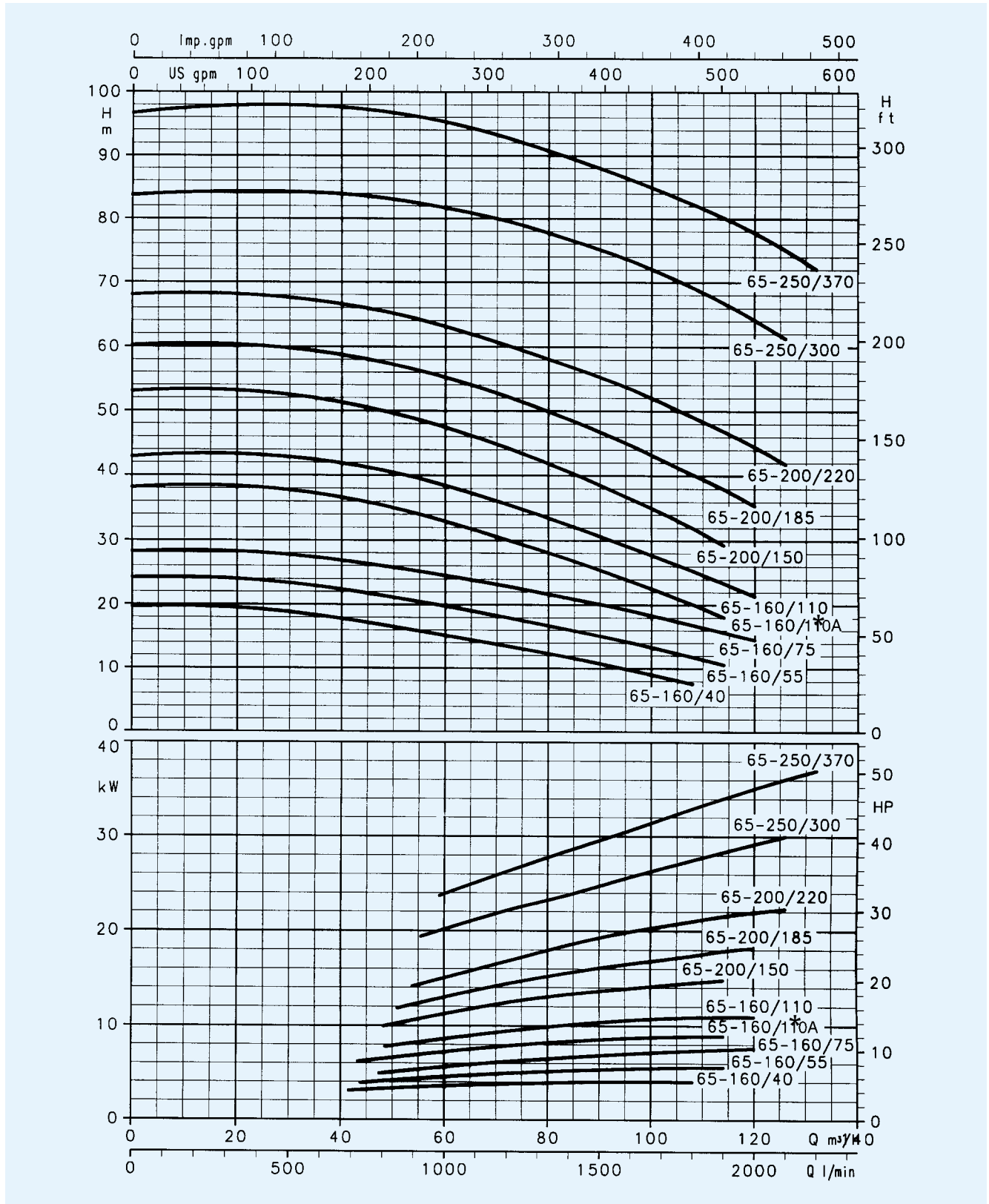


* /92 - 9,2 kW - 12,5 HP for version SHE - /110A - 11 kW - 15 HP for version SHS-SHF

Please verify with the price list the availability of model type SHE-SHS-SHF

These performances are valid for liquids with density $\rho = 1.0 \text{ kg/dm}^3$ and kinematic viscosity $\gamma = 1 \text{ mm}^2/\text{sec}$.

SH 65 SERIES
OPERATING CHARACTERISTICS at 2900 rpm 50 Hz, 2 POLES



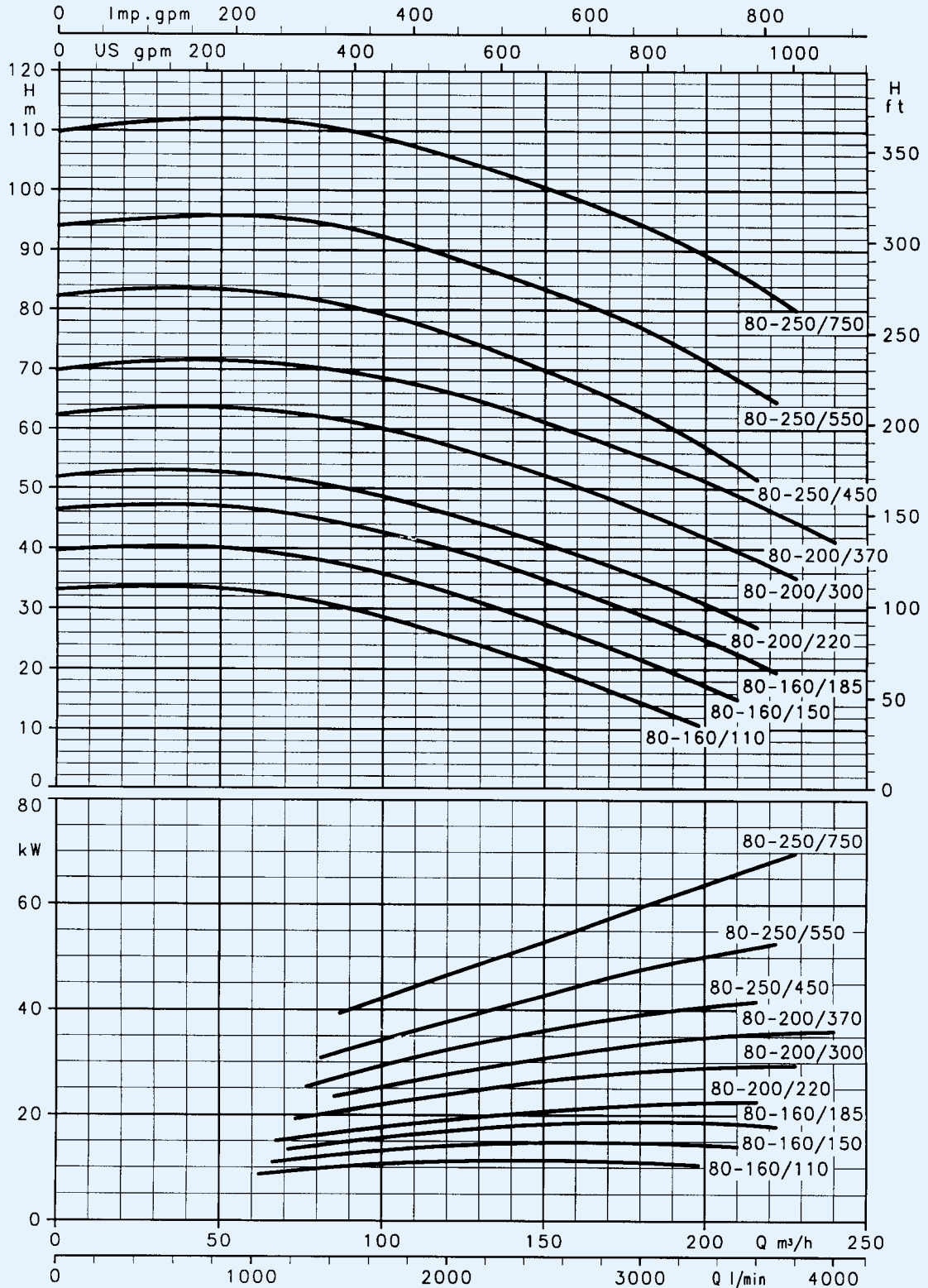
* /92 - 9,2 kW - 12,5 HP for version SHE - /110A - 11 kW - 15 HP for version SHS-SHF

Please verify with the price list the availability of model type SHE-SHS-SHF

These performances are valid for liquids with density $\rho = 1.0 \text{ kg/dm}^3$ and kinematic viscosity $\gamma = 1 \text{ mm}^2/\text{sec}$.



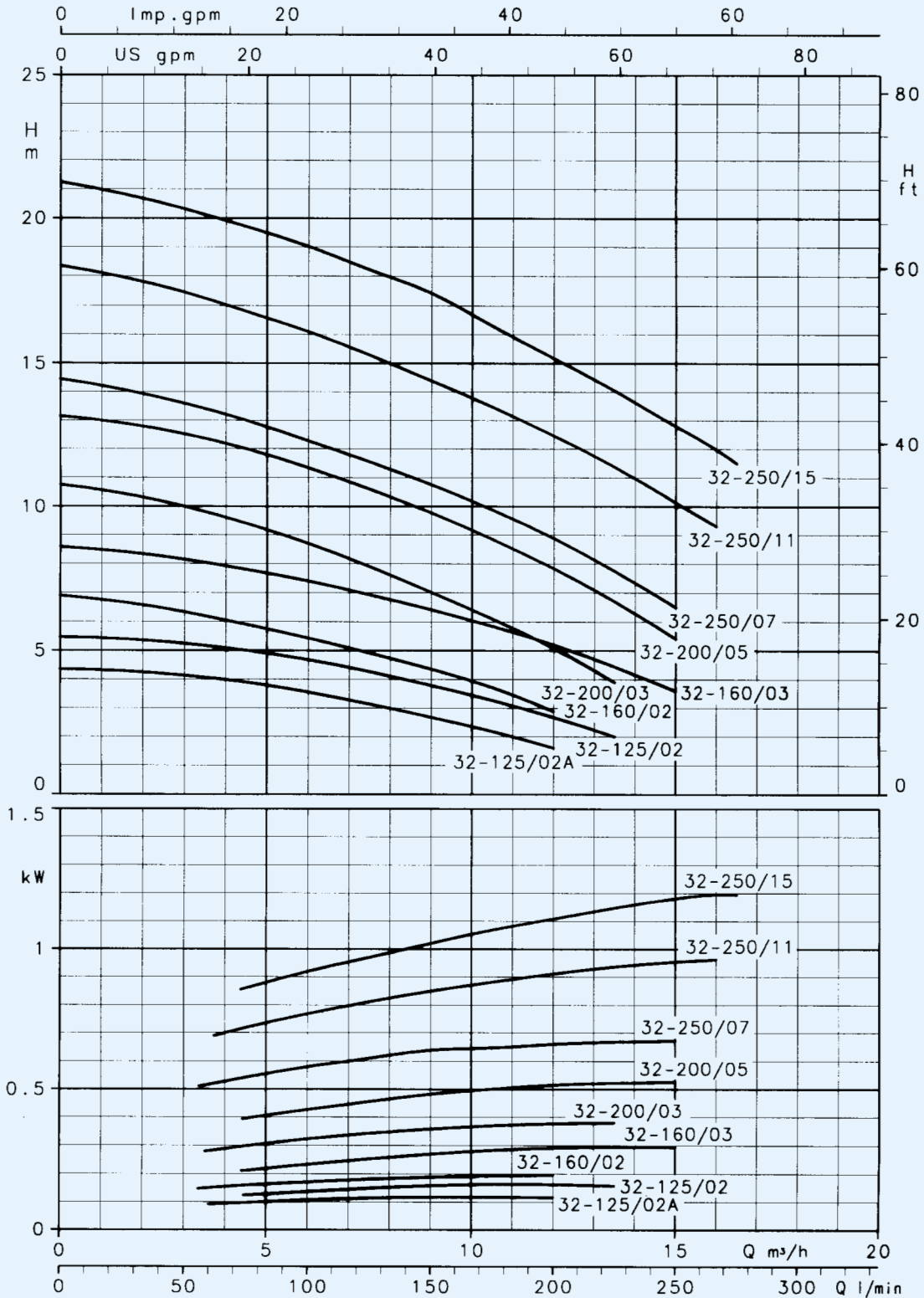
SH 80 SERIES
OPERATING CHARACTERISTICS at 2900 rpm 50 Hz, 2 POLES



SH

Please verify with the price list the availability of model type SHE-SHS-SHF
 These performances are valid for liquids with density $\rho = 1.0 \text{ kg/dm}^3$ and kinematic viscosity $\gamma = 1 \text{ mm}^2/\text{sec}$.

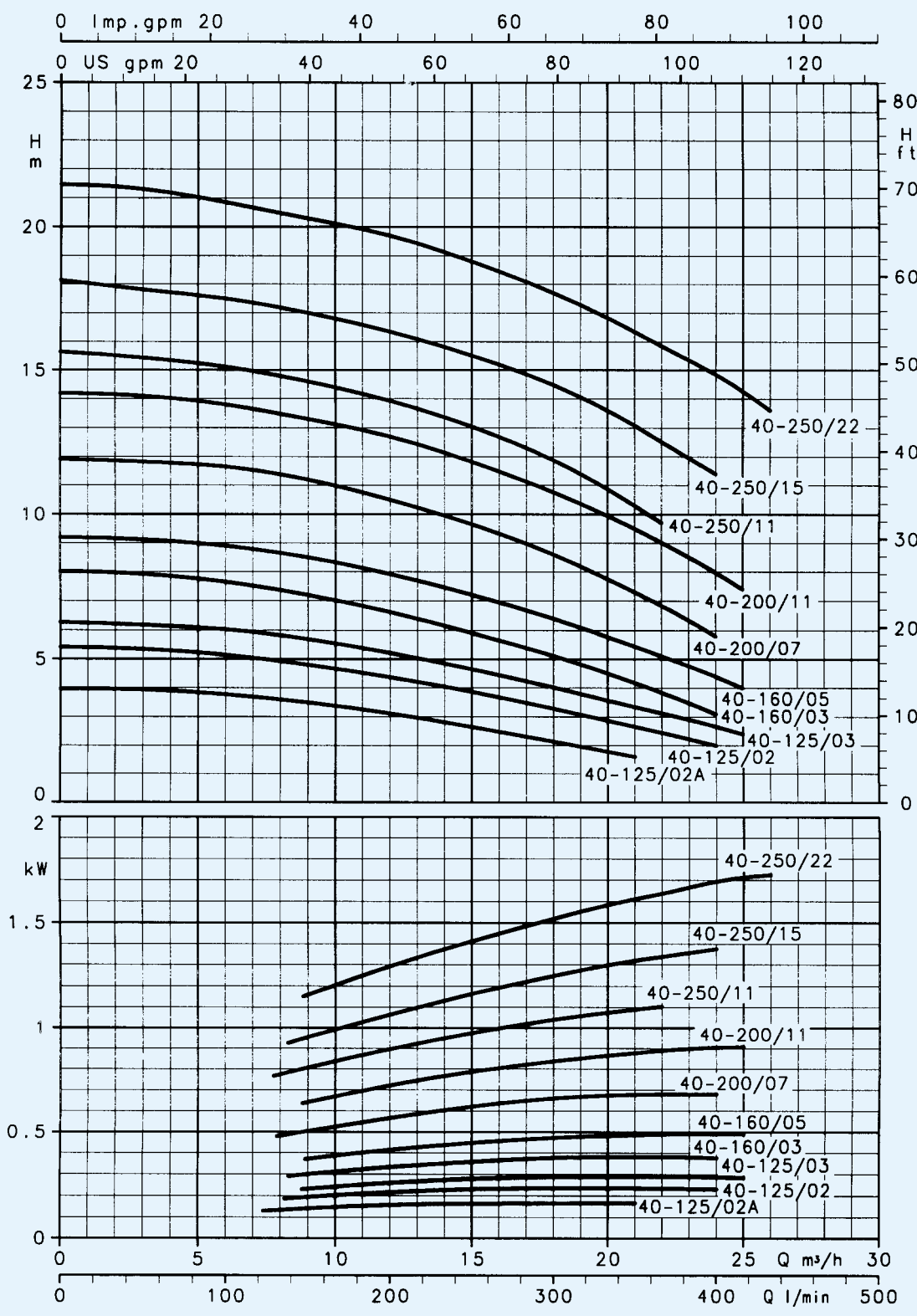
**SH4 25 - SH4 32 SERIES
 OPERATING CHARACTERISTICS at 1450 rpm 50 Hz, 4 POLES**



Please verify with the price list the availability of model type SHE4-SHS4-SHF4
 These performances are valid for liquids with density $\rho = 1.0 \text{ kg/dm}^3$ and kinematic viscosity $\gamma = 1 \text{ mm}^2/\text{sec}$.



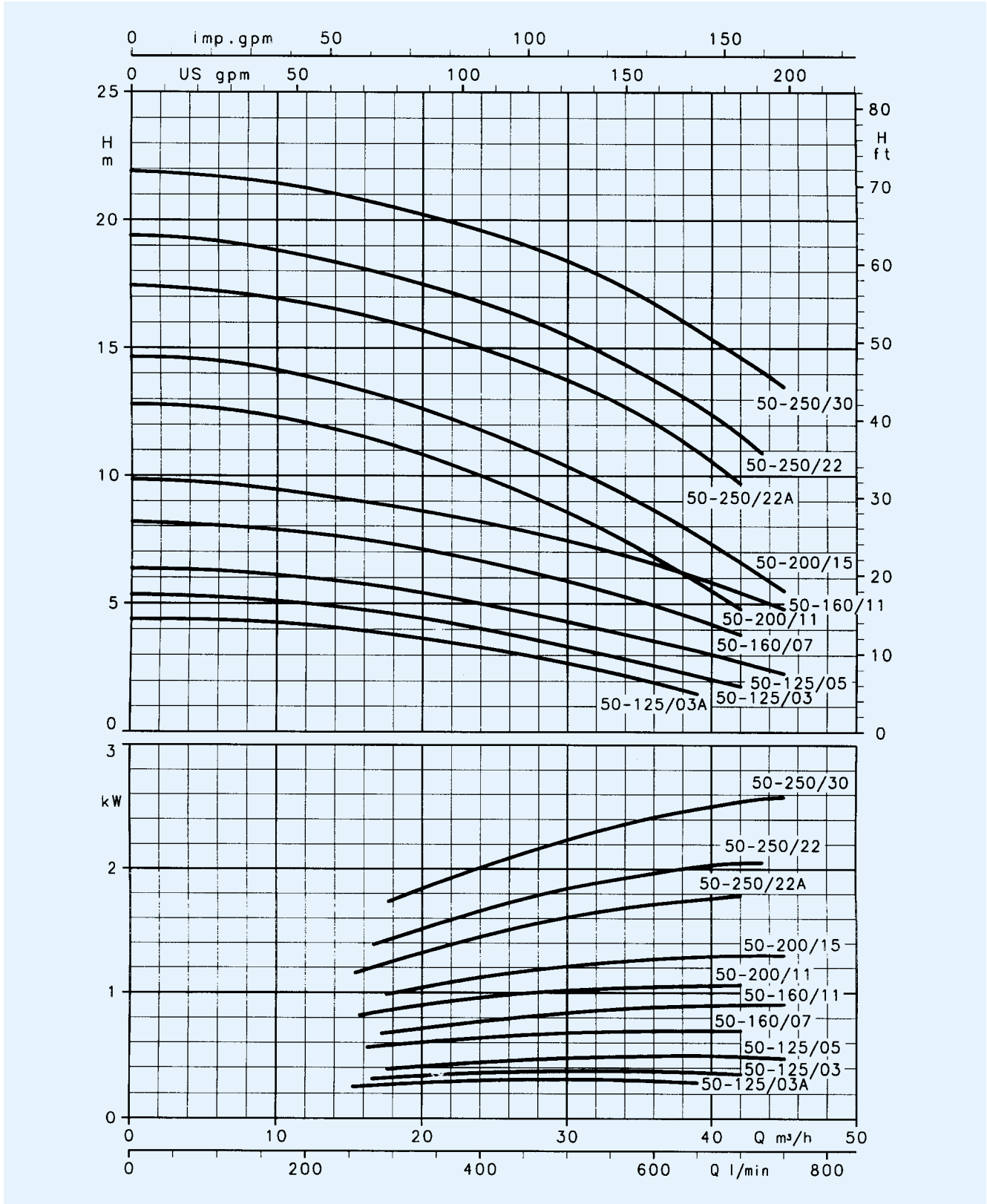
SH4 40 SERIES
OPERATING CHARACTERISTICS at 1450 rpm 50 Hz, 4 POLES



SH

Please verify with the price list the availability of model type SHE4-SHS4-SHF4
 These performances are valid for liquids with density $\rho = 1.0 \text{ kg/dm}^3$ and kinematic viscosity $\gamma = 1 \text{ mm}^2/\text{sec}$.

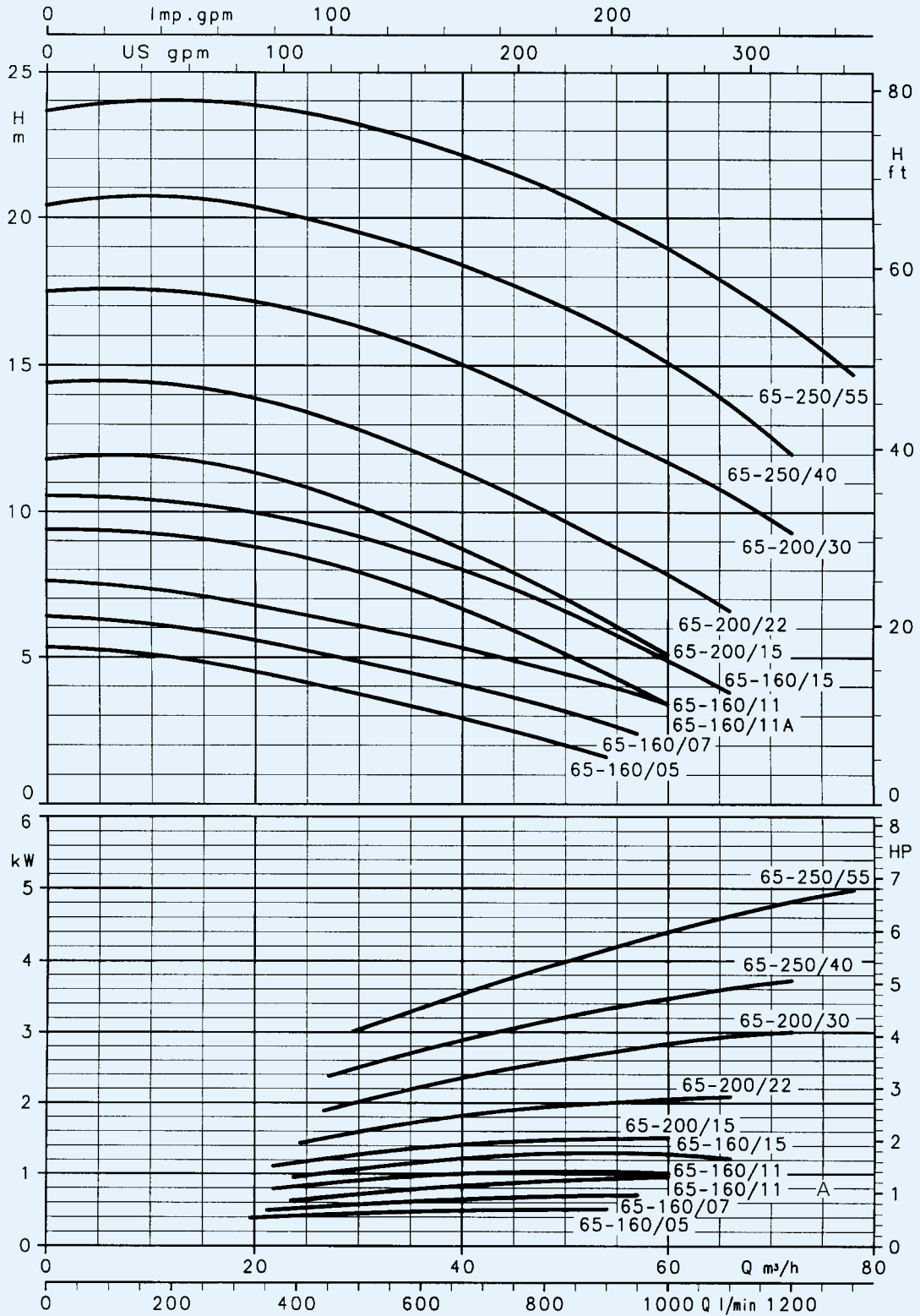
SH4 50 SERIES
OPERATING CHARACTERISTICS at 1450 rpm 50 Hz, 4 POLES



Please verify with the price list the availability of model type SHE4-SHS4-SHF4
 These performances are valid for liquids with density $\rho = 1.0 \text{ kg/dm}^3$ and kinematic viscosity $\gamma = 1 \text{ mm}^2/\text{sec}$.



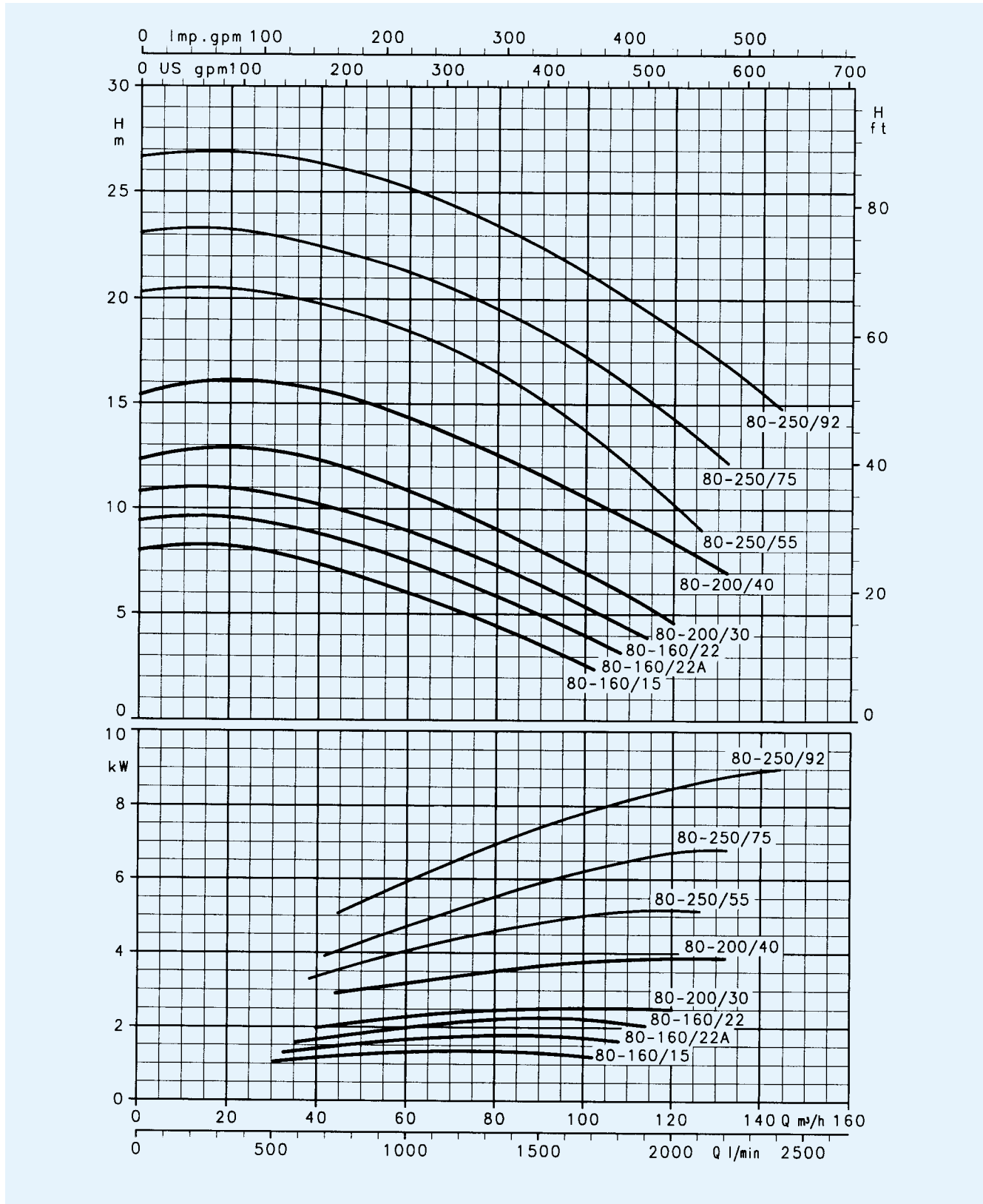
SH4 65 SERIES
OPERATING CHARACTERISTICS at 1450 rpm 50 Hz, 4 POLES



SH

Please verify with the price list the availability of model type SHE4-SHS4-SHF4
 These performances are valid for liquids with density $\rho = 1.0 \text{ kg/dm}^3$ and kinematic viscosity $\gamma = 1 \text{ mm}^2/\text{sec}$.

SH4 80 SERIES
OPERATING CHARACTERISTICS at 1450 rpm 50 Hz, 4 POLES



Please verify with the price list the availability of model type SHE4-SHS4-SHF4
 These performances are valid for liquids with density $\rho = 1.0 \text{ kg/dm}^3$ and kinematic viscosity $\gamma = 1 \text{ mm}^2/\text{sec}$.

SH

DIMENSIONS AND WEIGHTS SHE SERIES, 2 POLES

SHE WITH SUPPORT FOOT ON PUMP MOTORS UP TO 11 kW

FLANGES

| DN | D | M | G | HOLES | | MAX. THICKNESS |
|----|-----|-----|-----|-------|------|----------------|
| | | | | N° | Ø | |
| 25 | 115 | 85 | 56 | 4 | 14,5 | 16 |
| 50 | 165 | 125 | 83 | 4 | 18 | 18 |
| 32 | 140 | 100 | 64 | 4 | 18 | 16 |
| 40 | 150 | 110 | 68 | 4 | 18 | 16 |
| 50 | 165 | 125 | 83 | 4 | 18 | 18 |
| 65 | 185 | 145 | 104 | 4 | 18 | 18 |

SHE WITH SUPPORT UNDER MOTOR 15 TO 22 kW MOTORS

FLANGES

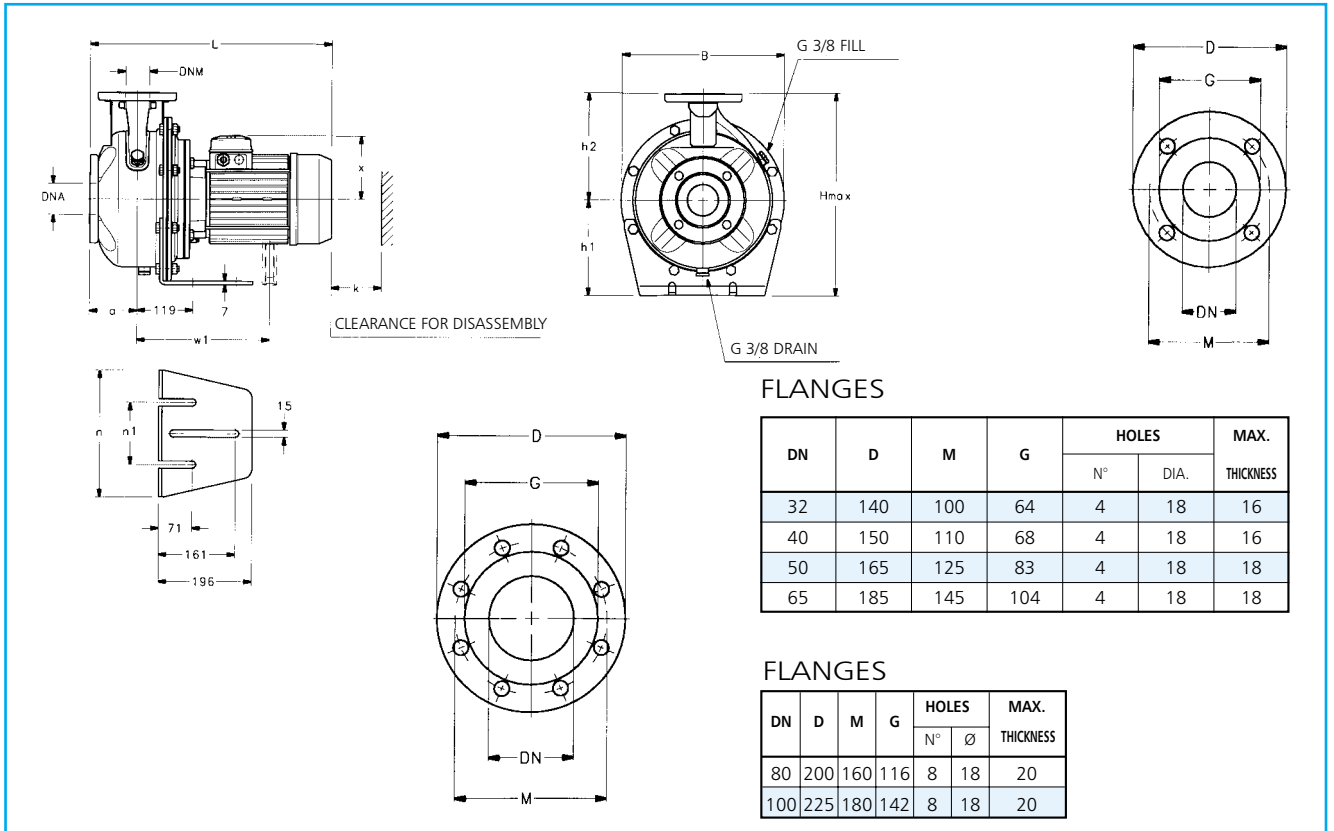
| DN | D | M | G | HOLES | | MAX. THICKNESS |
|-----|-----|-----|-----|-------|----|----------------|
| | | | | N° | Ø | |
| 80 | 200 | 160 | 116 | 8 | 18 | 20 |
| 100 | 225 | 180 | 142 | 8 | 18 | 20 |

DIMENSIONS AND WEIGHTS SHE SERIES, 2 POLES

| PUMP TYPE | PUMP | | | | | | | SUPPORT | | | | | | | | | B | H max | L | k | WEIGHT kg | |
|----------------|------|-----|-----|-----|-----|-----|-----|---------|----|----|-----|-----|-----|-----|-----|----|----|-------|-----|-----|-----------|-----|
| | DNM | DNA | a | h2 | w | w1 | x | b | c | c1 | h1 | m | m1 | n | n1 | s | | | | | | s1 |
| SHE 25-125/07 | 25 | 50 | 80 | 140 | - | - | 129 | - | - | - | 160 | - | - | 190 | - | - | - | 218 | 252 | 443 | 98 | 20 |
| SHE 25-125/11 | 25 | 50 | 80 | 140 | - | - | 129 | - | - | - | 160 | - | - | 190 | - | - | - | 218 | 252 | 443 | 98 | 22 |
| SHE 25-160/15 | 25 | 50 | 80 | 160 | - | - | 129 | - | - | - | 160 | - | - | 210 | - | - | - | 253 | 320 | 443 | 98 | 23 |
| SHE 25-160/22 | 25 | 50 | 80 | 160 | - | - | 129 | - | - | - | 160 | - | - | 210 | - | - | - | 253 | 320 | 443 | 98 | 25 |
| SHE 25-200/30 | 25 | 50 | 80 | 180 | - | - | 121 | - | - | - | 160 | - | - | 230 | - | - | - | 285 | 340 | 461 | 98 | 29 |
| SHE 25-200/40 | 25 | 50 | 80 | 180 | - | - | 133 | - | - | - | 160 | - | - | 230 | - | - | - | 285 | 340 | 487 | 98 | 36 |
| SHE 25-250/55 | 25 | 50 | 100 | 225 | - | - | 150 | - | - | - | 180 | - | - | 265 | - | - | - | 345 | 405 | 553 | 98 | 48 |
| SHE 25-250/75 | 25 | 50 | 100 | 225 | - | - | 150 | - | - | - | 180 | - | - | 265 | - | - | - | 245 | 405 | 553 | 98 | 60 |
| SHE 25-250/110 | 25 | 50 | 100 | 225 | - | 278 | 191 | - | - | - | 180 | - | - | 265 | - | - | - | 245 | 405 | 604 | 98 | 80 |
| SHE 32-125/07 | 32 | 50 | 80 | 140 | - | - | 129 | - | - | - | 112 | - | - | 190 | - | - | - | 218 | 252 | 443 | 96 | 20 |
| SHE 32-125/11 | 32 | 50 | 80 | 140 | - | - | 129 | - | - | - | 112 | - | - | 190 | - | - | - | 218 | 252 | 443 | 96 | 22 |
| SHE 32-160/15 | 32 | 50 | 80 | 160 | - | - | 129 | - | - | - | 132 | - | - | 210 | - | - | - | 253 | 292 | 443 | 96 | 23 |
| SHE 32-160/22 | 32 | 50 | 80 | 160 | - | - | 129 | - | - | - | 132 | - | - | 210 | - | - | - | 253 | 292 | 443 | 96 | 25 |
| SHE 32-200/30 | 32 | 50 | 80 | 180 | - | - | 121 | - | - | - | 160 | - | - | 230 | - | - | - | 285 | 340 | 461 | 96 | 29 |
| SHE 32-200/40 | 32 | 50 | 80 | 180 | - | - | 133 | - | - | - | 160 | - | - | 230 | - | - | - | 285 | 340 | 487 | 96 | 36 |
| SHE 32-250/55 | 32 | 50 | 100 | 225 | - | - | 150 | - | - | - | 180 | - | - | 265 | - | - | - | 345 | 405 | 553 | 96 | 48 |
| SHE 32-250/75 | 32 | 50 | 100 | 225 | - | - | 150 | - | - | - | 180 | - | - | 265 | - | - | - | 345 | 405 | 553 | 96 | 60 |
| SHE 32-250/110 | 32 | 50 | 100 | 225 | - | 278 | 191 | - | - | - | 180 | - | - | 265 | - | - | - | 345 | 405 | 604 | 96 | 80 |
| SHE 40-125/11 | 40 | 65 | 80 | 140 | - | - | 129 | - | - | - | 112 | - | - | 190 | - | - | - | 219 | 252 | 443 | 100 | 23 |
| SHE 40-125/15 | 40 | 65 | 80 | 140 | - | - | 129 | - | - | - | 112 | - | - | 190 | - | - | - | 219 | 252 | 443 | 100 | 25 |
| SHE 40-125/22 | 40 | 65 | 80 | 140 | - | - | 129 | - | - | - | 112 | - | - | 190 | - | - | - | 219 | 252 | 443 | 100 | 26 |
| SHE 40-160/30 | 40 | 65 | 80 | 160 | - | - | 121 | - | - | - | 132 | - | - | 210 | - | - | - | 254 | 292 | 461 | 100 | 29 |
| SHE 40-160/40 | 40 | 65 | 80 | 160 | - | - | 133 | - | - | - | 132 | - | - | 210 | - | - | - | 254 | 292 | 487 | 100 | 35 |
| SHE 40-200/55 | 40 | 65 | 100 | 180 | - | - | 150 | - | - | - | 160 | - | - | 230 | - | - | - | 285 | 340 | 553 | 100 | 46 |
| SHE 40-200/75 | 40 | 65 | 100 | 180 | - | - | 150 | - | - | - | 160 | - | - | 230 | - | - | - | 285 | 340 | 553 | 100 | 51 |
| SHE 40-250/92 | 40 | 65 | 100 | 225 | - | 278 | 191 | - | - | - | 180 | - | - | 265 | - | - | - | 345 | 405 | 604 | 107 | 62 |
| SHE 40-250/110 | 40 | 65 | 100 | 225 | - | 278 | 191 | - | - | - | 180 | - | - | 265 | - | - | - | 345 | 405 | 604 | 107 | 65 |
| SHE 40-250/150 | 40 | 65 | 100 | 225 | 208 | - | 232 | 72 | 22 | 20 | 180 | 260 | 210 | 318 | 254 | 13 | 23 | 345 | 412 | 688 | 107 | 91 |
| SHE 50-125/22 | 50 | 65 | 100 | 160 | - | - | 129 | - | - | - | 132 | - | - | 210 | - | - | - | 254 | 292 | 463 | 104 | 29 |
| SHE 50-125/30 | 50 | 65 | 100 | 160 | - | - | 121 | - | - | - | 132 | - | - | 210 | - | - | - | 254 | 292 | 481 | 104 | 32 |
| SHE 50-125/40 | 50 | 65 | 100 | 160 | - | - | 135 | - | - | - | 132 | - | - | 210 | - | - | - | 254 | 292 | 507 | 104 | 35 |
| SHE 50-160/55 | 50 | 65 | 100 | 180 | - | - | 150 | - | - | - | 160 | - | - | 210 | - | - | - | 255 | 340 | 553 | 104 | 47 |
| SHE 50-160/75 | 50 | 65 | 100 | 180 | - | - | 150 | - | - | - | 160 | - | - | 210 | - | - | - | 255 | 340 | 553 | 104 | 52 |
| SHE 50-200/92 | 50 | 65 | 100 | 200 | - | 278 | 191 | - | - | - | 160 | - | - | 245 | - | - | - | 310 | 360 | 604 | 104 | 63 |
| SHE 50-200/110 | 50 | 65 | 100 | 200 | - | 278 | 191 | - | - | - | 160 | - | - | 245 | - | - | - | 310 | 360 | 604 | 104 | 67 |
| SHE 50-250/150 | 50 | 65 | 100 | 225 | 208 | - | 232 | 72 | 22 | 20 | 180 | 260 | 210 | 318 | 254 | 13 | 23 | 345 | 412 | 688 | 107 | 103 |
| SHE 50-250/185 | 50 | 65 | 100 | 225 | 208 | - | 232 | 72 | 22 | 20 | 180 | 304 | 254 | 318 | 254 | 13 | 23 | 345 | 412 | 732 | 107 | 119 |
| SHE 50-250/220 | 50 | 65 | 100 | 225 | 208 | - | 232 | 72 | 22 | 20 | 180 | 304 | 254 | 318 | 254 | 13 | 23 | 345 | 412 | 732 | 107 | 136 |
| SHE 65-160/40 | 65 | 80 | 100 | 200 | - | - | 133 | - | - | - | 160 | - | - | 245 | - | - | - | 310 | 360 | 507 | 115 | 60 |
| SHE 65-160/55 | 65 | 80 | 100 | 200 | - | - | 150 | - | - | - | 160 | - | - | 245 | - | - | - | 310 | 360 | 553 | 115 | 69 |
| SHE 65-160/75 | 65 | 80 | 100 | 200 | - | - | 150 | - | - | - | 160 | - | - | 245 | - | - | - | 310 | 360 | 553 | 115 | 75 |
| SHE 65-160/92 | 65 | 80 | 100 | 200 | - | 278 | 191 | - | - | - | 160 | - | - | 245 | - | - | - | 310 | 360 | 604 | 130 | 92 |
| SHE 65-160/110 | 65 | 80 | 100 | 200 | - | 278 | 191 | - | - | - | 160 | - | - | 245 | - | - | - | 310 | 360 | 604 | 130 | 101 |
| SHE 65-200/150 | 65 | 80 | 100 | 225 | 208 | - | 232 | 72 | 22 | 20 | 180 | 260 | 210 | 318 | 254 | 13 | 23 | 310 | 412 | 688 | 130 | 116 |
| SHE 65-200/185 | 65 | 80 | 100 | 225 | 208 | - | 232 | 72 | 22 | 20 | 180 | 304 | 254 | 318 | 254 | 13 | 23 | 310 | 412 | 732 | 130 | 126 |
| SHE 65-200/220 | 65 | 80 | 100 | 225 | 208 | - | 232 | 72 | 22 | 20 | 180 | 304 | 254 | 318 | 254 | 13 | 23 | 310 | 412 | 732 | 130 | 139 |
| SHE 80-160/110 | 80 | 100 | 125 | 235 | - | 278 | 191 | - | - | - | 180 | - | - | 265 | - | - | - | 345 | 405 | 629 | 160 | 102 |
| SHE 80-160/150 | 80 | 100 | 125 | 235 | 208 | - | 232 | 72 | 22 | 20 | 180 | 260 | 210 | 318 | 254 | 13 | 23 | 345 | 412 | 713 | 160 | 120 |
| SHE 80-160/185 | 80 | 100 | 125 | 235 | 208 | - | 232 | 72 | 22 | 20 | 180 | 304 | 254 | 318 | 254 | 13 | 23 | 345 | 412 | 757 | 160 | 139 |
| SHE 80-200/220 | 80 | 100 | 125 | 250 | 208 | - | 232 | 72 | 22 | 20 | 180 | 304 | 254 | 318 | 254 | 13 | 23 | 345 | 430 | 757 | 160 | 150 |



DIMENSIONS AND WEIGHTS SHE4 SERIES, 4 POLES



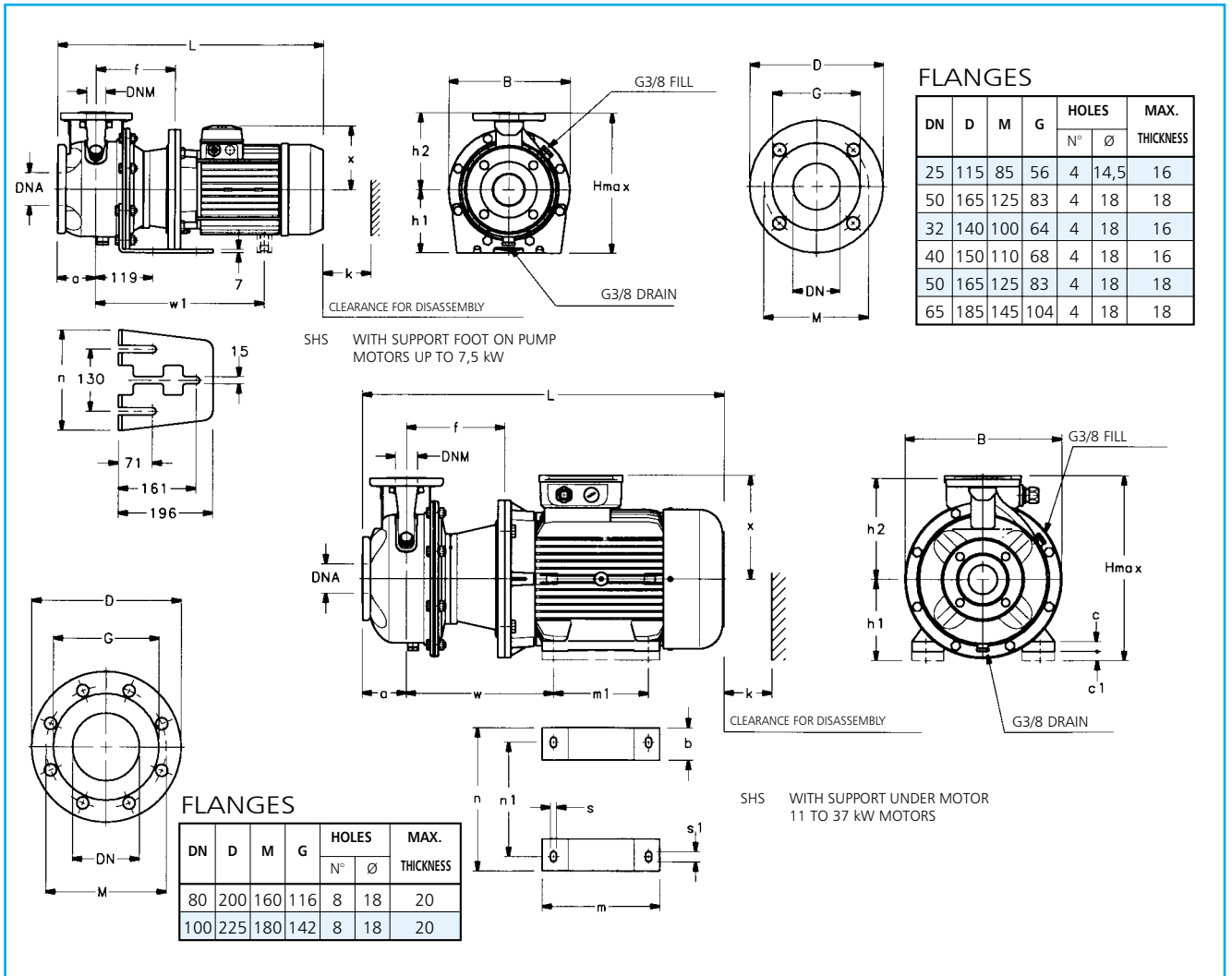
SH

DIMENSIONS AND WEIGHTS SHE4 SERIES, 4 POLES

| PUMP TYPE | PUMP | | | | | | DIMENSIONS IN mm | | | B | H max | L | k | WEIGHT kg |
|-----------------|------|-----|-----|-----|-----|-----|------------------|-----|-----|-----|----------|-----|-----|--------------|
| | DNM | DNA | a | h2 | w1 | x | h1 | n | n1 | | | | | |
| SHE4 25-125/02A | 25 | 50 | 80 | 140 | - | 121 | 160 | 190 | 130 | 218 | 252 | 411 | 98 | 20 |
| SHE4 25-125/02 | 25 | 50 | 80 | 140 | - | 121 | 160 | 190 | 130 | 218 | 252 | 411 | 98 | 20 |
| SHE4 25-160/02 | 25 | 50 | 80 | 160 | - | 121 | 160 | 210 | 130 | 253 | 320 | 411 | 98 | 22 |
| SHE4 25-160/03 | 25 | 50 | 80 | 160 | - | 121 | 160 | 210 | 130 | 253 | 320 | 411 | 98 | 23 |
| SHE4 25-200/03 | 25 | 50 | 80 | 180 | - | 121 | 160 | 230 | 130 | 285 | 340 | 411 | 98 | 28 |
| SHE4 25-200/05 | 25 | 50 | 80 | 180 | - | 129 | 160 | 230 | 130 | 285 | 340 | 443 | 98 | 30 |
| SHE4 25-250/07 | 25 | 50 | 100 | 225 | - | 129 | 180 | 265 | 130 | 345 | 405 | 463 | 98 | 38 |
| SHE4 25-250/11 | 25 | 50 | 100 | 225 | - | 121 | 180 | 265 | 130 | 345 | 405 | 481 | 98 | 40 |
| SHE4 25-250/15 | 25 | 50 | 100 | 225 | - | 121 | 180 | 265 | 130 | 345 | 405 | 481 | 98 | 45 |
| SHE4 32-125/02A | 32 | 50 | 80 | 140 | - | 121 | 112 | 190 | 130 | 218 | 252 | 411 | 98 | 20 |
| SHE4 32-125/02 | 32 | 50 | 80 | 140 | - | 121 | 112 | 190 | 130 | 218 | 252 | 411 | 98 | 20 |
| SHE4 32-160/02 | 32 | 50 | 80 | 160 | - | 121 | 132 | 210 | 130 | 253 | 292 | 411 | 98 | 22 |
| SHE4 32-160/03 | 32 | 50 | 80 | 160 | - | 121 | 132 | 210 | 130 | 253 | 292 | 411 | 98 | 23 |
| SHE4 32-200/03 | 32 | 50 | 80 | 180 | - | 121 | 160 | 230 | 130 | 285 | 340 | 411 | 98 | 28 |
| SHE4 32-200/05 | 32 | 50 | 80 | 180 | - | 129 | 160 | 230 | 130 | 285 | 340 | 443 | 98 | 30 |
| SHE4 32-250/07 | 32 | 50 | 100 | 225 | - | 129 | 180 | 265 | 130 | 345 | 405 | 463 | 98 | 38 |
| SHE4 32-250/11 | 32 | 50 | 100 | 225 | - | 121 | 180 | 265 | 130 | 345 | 405 | 481 | 98 | 40 |
| SHE4 32-250/15 | 32 | 50 | 100 | 225 | - | 121 | 180 | 265 | 130 | 345 | 405 | 481 | 98 | 45 |
| SHE4 40-125/02A | 40 | 65 | 80 | 140 | - | 121 | 112 | 190 | 130 | 219 | 252 | 411 | 100 | 21 |
| SHE4 40-125/02 | 40 | 65 | 80 | 140 | - | 121 | 112 | 190 | 130 | 219 | 252 | 411 | 100 | 21 |
| SHE4 40-125/03 | 40 | 65 | 80 | 140 | - | 121 | 112 | 190 | 130 | 219 | 252 | 411 | 100 | 22 |
| SHE4 40-160/03 | 40 | 65 | 80 | 160 | - | 121 | 132 | 210 | 130 | 254 | 292 | 411 | 100 | 24 |
| SHE4 40-160/05 | 40 | 65 | 80 | 160 | - | 129 | 132 | 210 | 130 | 254 | 292 | 411 | 100 | 25 |
| SHE4 40-200/07 | 40 | 65 | 100 | 180 | - | 129 | 160 | 230 | 130 | 285 | 340 | 443 | 100 | 26 |
| SHE4 40-200/11 | 40 | 65 | 100 | 180 | - | 121 | 160 | 230 | 130 | 285 | 340 | 463 | 100 | 30 |
| SHE4 40-250/11 | 40 | 65 | 100 | 225 | - | 121 | 180 | 265 | 130 | 345 | 405 | 481 | 107 | 32 |
| SHE4 40-250/15 | 40 | 65 | 100 | 225 | - | 121 | 180 | 265 | 130 | 345 | 405 | 481 | 107 | 42 |
| SHE4 40-250/22 | 40 | 65 | 100 | 225 | - | 133 | 180 | 265 | 130 | 345 | 405 | 507 | 107 | 49 |
| SHE4 50-125/03A | 50 | 65 | 100 | 160 | - | 121 | 132 | 210 | 130 | 254 | 292 | 431 | 104 | 22 |
| SHE4 50-125/03 | 50 | 65 | 100 | 160 | - | 121 | 132 | 210 | 130 | 254 | 292 | 431 | 104 | 22 |
| SHE4 50-125/05 | 50 | 65 | 100 | 160 | - | 129 | 132 | 210 | 130 | 254 | 292 | 463 | 104 | 24 |
| SHE4 50-160/07 | 50 | 65 | 100 | 180 | - | 129 | 160 | 210 | 130 | 255 | 340 | 463 | 104 | 26 |
| SHE4 50-160/11 | 50 | 65 | 100 | 180 | - | 121 | 160 | 210 | 130 | 255 | 340 | 481 | 104 | 28 |
| SHE4 50-200/11 | 50 | 65 | 100 | 200 | - | 121 | 160 | 245 | 130 | 310 | 360 | 481 | 104 | 30 |
| SHE4 50-200/15 | 50 | 65 | 100 | 200 | - | 121 | 160 | 245 | 130 | 310 | 360 | 481 | 104 | 41 |
| SHE4 50-250/22A | 50 | 65 | 100 | 225 | - | 133 | 180 | 265 | 130 | 345 | 405 | 507 | 107 | 46 |
| SHE4 50-250/22 | 50 | 65 | 100 | 225 | - | 133 | 180 | 265 | 130 | 345 | 405 | 507 | 107 | 46 |
| SHE4 50-250/30 | 50 | 65 | 100 | 225 | - | 133 | 180 | 265 | 130 | 345 | 405 | 507 | 107 | 55 |
| SHE4 65-160/05 | 65 | 80 | 100 | 200 | - | 129 | 160 | 245 | 130 | 310 | 360 | 463 | 115 | 32 |
| SHE4 65-160/07 | 65 | 80 | 100 | 200 | - | 129 | 160 | 245 | 130 | 310 | 360 | 463 | 115 | 35 |
| SHE4 65-160/11A | 65 | 80 | 100 | 200 | - | 121 | 160 | 245 | 130 | 310 | 360 | 481 | 115 | 38 |
| SHE4 65-160/11 | 65 | 80 | 100 | 200 | - | 121 | 160 | 245 | 130 | 310 | 360 | 481 | 130 | 38 |
| SHE4 65-160/15 | 65 | 80 | 100 | 200 | - | 121 | 160 | 245 | 130 | 310 | 360 | 481 | 130 | 42 |
| SHE4 65-200/15 | 65 | 80 | 100 | 225 | - | 121 | 180 | 245 | 130 | 310 | 405 | 481 | 130 | 45 |
| SHE4 65-200/22 | 65 | 80 | 100 | 225 | - | 133 | 180 | 245 | 130 | 310 | 405 | 507 | 130 | 50 |
| SHE4 65-200/30 | 65 | 80 | 100 | 225 | - | 133 | 180 | 245 | 130 | 310 | 405 | 507 | 130 | 55 |
| SHE4 65-250/40 | 65 | 80 | 100 | 250 | - | 150 | 200 | 265 | 130 | 345 | 450 | 530 | 140 | 64 |
| SHE4 65-250/55 | 65 | 80 | 100 | 250 | - | 191 | 200 | 265 | 130 | 345 | 450 | 566 | 140 | 78 |
| SHE4 80-160/15 | 80 | 100 | 125 | 225 | - | 121 | 180 | 265 | 130 | 345 | 405 | 506 | 160 | 49 |
| SHE4 80-160/22A | 80 | 100 | 125 | 225 | - | 133 | 180 | 265 | 130 | 345 | 405 | 532 | 160 | 54 |
| SHE4 80-160/22 | 80 | 100 | 125 | 225 | - | 133 | 180 | 265 | 130 | 345 | 405 | 532 | 160 | 54 |
| SHE4 80-200/30 | 80 | 100 | 125 | 250 | - | 133 | 180 | 265 | 130 | 345 | 430 | 532 | 160 | 59 |
| SHE4 80-200/40 | 80 | 100 | 125 | 250 | - | 150 | 180 | 265 | 130 | 345 | 430 | 555 | 160 | 65 |
| SHE4 80-250/55 | 80 | 100 | 125 | 280 | 259 | 191 | 200 | 303 | 210 | 384 | 480 | 591 | 160 | 79 |
| SHE4 80-250/75 | 80 | 100 | 125 | 280 | 278 | 191 | 200 | 303 | 210 | 384 | 480 | 629 | 160 | 87 |
| SHE4 80-250/92 | 80 | 100 | 125 | 280 | 278 | 191 | 200 | 303 | 210 | 384 | 480 | 629 | 160 | 88 |

HS

DIMENSIONS AND WEIGHTS SHS SERIES, 2 POLES



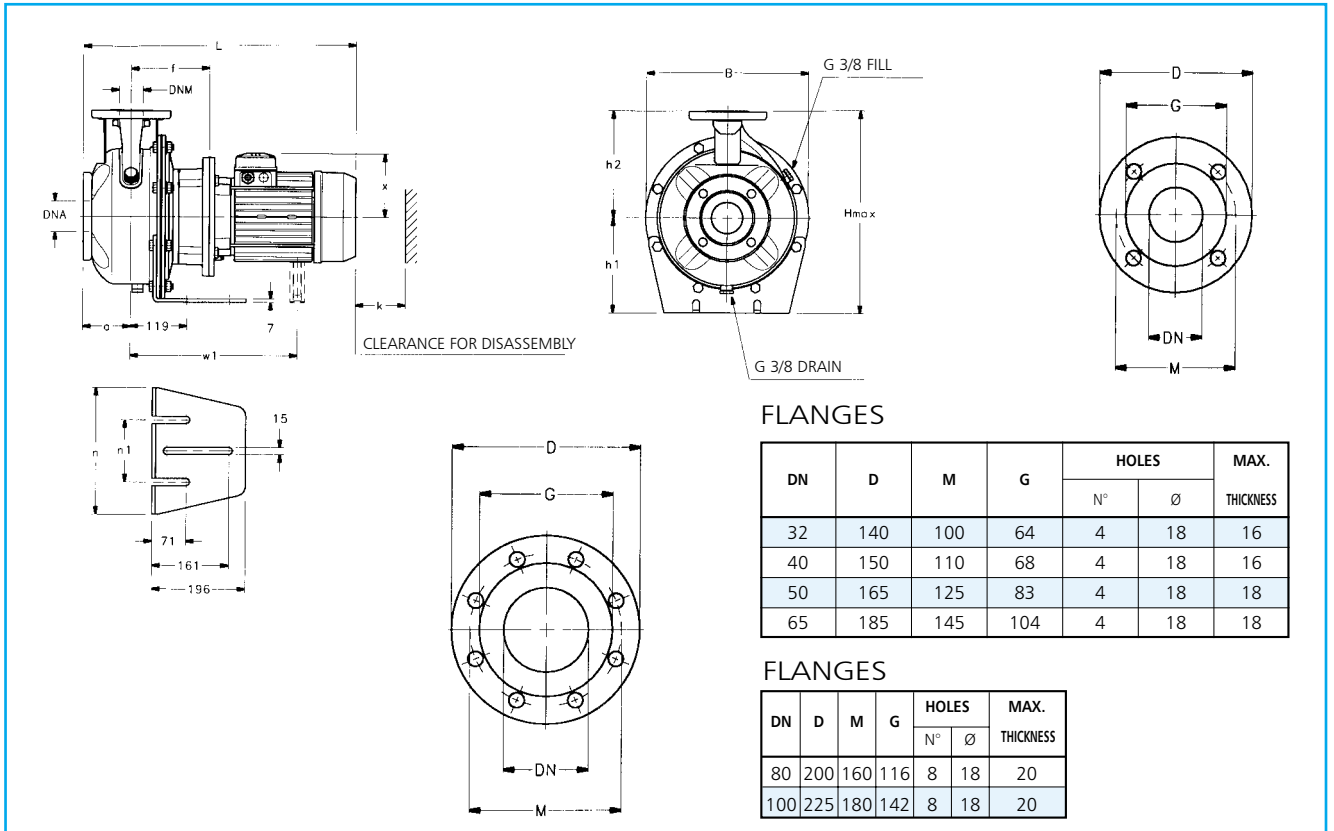
SH

DIMENSIONS AND WEIGHTS SHS SERIES, 2 POLES

| PUMP TYPE | PUMP | | | | | | | | SUPPORT | | | | | | | | | | | B | H max | L | k | WEIGHT kg |
|-----------------|------|-----|-----|-----|-----|-----|-----|-----|---------|----|----|-----|-----|-----|-----|-----|----|----|-----|-----|----------|-----|-----|--------------|
| | DNM | DNA | a | f | h2 | w | w1 | x | b | c | c1 | h1 | m | m1 | n | n1 | s | s1 | | | | | | |
| SHS 25-125/07 | 25 | 50 | 80 | 155 | 140 | - | - | 121 | - | - | - | 160 | - | - | 190 | - | - | - | 218 | 252 | 461 | 98 | 25 | |
| SHS 25-125/11 | 25 | 50 | 80 | 155 | 140 | - | - | 129 | - | - | - | 160 | - | - | 190 | - | - | - | 218 | 252 | 498 | 98 | 26 | |
| SHS 25-160/15 | 25 | 50 | 80 | 155 | 160 | - | - | 129 | - | - | - | 160 | - | - | 210 | - | - | - | 253 | 320 | 498 | 98 | 28 | |
| SHS 25-160/22 | 25 | 50 | 80 | 155 | 160 | - | - | 129 | - | - | - | 160 | - | - | 210 | - | - | - | 253 | 320 | 498 | 98 | 30 | |
| SHS 25-200/30 | 25 | 50 | 80 | 165 | 180 | - | - | 121 | - | - | - | 160 | - | - | 230 | - | - | - | 285 | 340 | 548 | 98 | 41 | |
| SHS 25-200/40 | 25 | 50 | 80 | 165 | 180 | - | - | 133 | - | - | - | 160 | - | - | 230 | - | - | - | 285 | 340 | 552 | 98 | 44 | |
| SHS 25-250/55 | 25 | 50 | 100 | 192 | 225 | - | 424 | 150 | - | - | - | 180 | - | - | 265 | - | - | - | 345 | 405 | 666 | 98 | 63 | |
| SHS 25-250/75 | 25 | 50 | 100 | 192 | 225 | - | 424 | 150 | - | - | - | 180 | - | - | 265 | - | - | - | 345 | 405 | 666 | 98 | 69 | |
| SHS 25-250/110 | 25 | 50 | 100 | 222 | 225 | 330 | - | 232 | 72 | 22 | 20 | 180 | 260 | 210 | 318 | 254 | 14 | 23 | 350 | 412 | 810 | 98 | 81 | |
| SHS 32-125/07 | 32 | 50 | 80 | 155 | 140 | - | - | 121 | - | - | - | 112 | - | - | 190 | - | - | - | 218 | 252 | 461 | 98 | 25 | |
| SHS 32-125/11 | 32 | 50 | 80 | 155 | 140 | - | - | 129 | - | - | - | 112 | - | - | 190 | - | - | - | 218 | 252 | 498 | 98 | 26 | |
| SHS 32-160/15 | 32 | 50 | 80 | 155 | 160 | - | - | 129 | - | - | - | 132 | - | - | 210 | - | - | - | 253 | 292 | 498 | 98 | 28 | |
| SHS 32-160/22 | 32 | 50 | 80 | 155 | 160 | - | - | 129 | - | - | - | 132 | - | - | 210 | - | - | - | 253 | 292 | 498 | 98 | 30 | |
| SHS 32-200/30 | 32 | 50 | 80 | 165 | 180 | - | - | 121 | - | - | - | 160 | - | - | 230 | - | - | - | 285 | 340 | 548 | 98 | 41 | |
| SHS 32-200/40 | 32 | 50 | 80 | 165 | 180 | - | - | 133 | - | - | - | 160 | - | - | 230 | - | - | - | 285 | 340 | 552 | 98 | 44 | |
| SHS 32-250/55 | 32 | 50 | 100 | 192 | 225 | - | 424 | 150 | - | - | - | 180 | - | - | 265 | - | - | - | 345 | 405 | 666 | 98 | 63 | |
| SHS 32-250/75 | 32 | 50 | 100 | 192 | 225 | - | 424 | 150 | - | - | - | 180 | - | - | 265 | - | - | - | 345 | 405 | 666 | 98 | 69 | |
| SHS 32-250/110 | 32 | 50 | 100 | 222 | 225 | 330 | - | 232 | 72 | 22 | 20 | 180 | 260 | 210 | 318 | 254 | 14 | 23 | 350 | 412 | 810 | 98 | 81 | |
| SHS 40-125/11 | 40 | 65 | 80 | 155 | 140 | - | - | 129 | - | - | - | 112 | - | - | 190 | - | - | - | 219 | 252 | 498 | 100 | 25 | |
| SHS 40-125/15 | 40 | 65 | 80 | 155 | 140 | - | - | 129 | - | - | - | 112 | - | - | 190 | - | - | - | 219 | 252 | 498 | 100 | 27 | |
| SHS 40-125/22 | 40 | 65 | 80 | 155 | 140 | - | - | 129 | - | - | - | 112 | - | - | 190 | - | - | - | 219 | 252 | 498 | 100 | 28 | |
| SHS 40-160/30 | 40 | 65 | 80 | 165 | 160 | - | - | 121 | - | - | - | 132 | - | - | 210 | - | - | - | 254 | 292 | 548 | 100 | 38 | |
| SHS 40-160/40 | 40 | 65 | 80 | 165 | 160 | - | - | 133 | - | - | - | 132 | - | - | 210 | - | - | - | 254 | 292 | 552 | 100 | 42 | |
| SHS 40-200/55 | 40 | 65 | 100 | 192 | 180 | - | 424 | 150 | - | - | - | 160 | - | - | 230 | - | - | - | 300 | 340 | 666 | 100 | 64 | |
| SHS 40-200/75 | 40 | 65 | 100 | 192 | 180 | - | 424 | 150 | - | - | - | 160 | - | - | 230 | - | - | - | 300 | 340 | 666 | 100 | 66 | |
| SHS 40-250/110A | 40 | 65 | 100 | 222 | 225 | 330 | - | 232 | 72 | 22 | 20 | 180 | 260 | 210 | 318 | 254 | 14 | 23 | 350 | 412 | 810 | 107 | 116 | |
| SHS 40-250/110 | 40 | 65 | 100 | 222 | 225 | 330 | - | 232 | 72 | 22 | 20 | 180 | 260 | 210 | 318 | 254 | 14 | 23 | 350 | 412 | 810 | 107 | 116 | |
| SHS 40-250/150 | 40 | 65 | 100 | 222 | 225 | 330 | - | 232 | 72 | 22 | 20 | 180 | 260 | 210 | 318 | 254 | 14 | 23 | 350 | 412 | 810 | 107 | 122 | |
| SHS 50-125/22 | 50 | 65 | 100 | 155 | 160 | - | - | 129 | - | - | - | 132 | - | - | 210 | - | - | - | 254 | 292 | 518 | 104 | 34 | |
| SHS 50-125/30 | 50 | 65 | 100 | 165 | 160 | - | - | 121 | - | - | - | 132 | - | - | 210 | - | - | - | 254 | 292 | 568 | 104 | 37 | |
| SHS 50-125/40 | 50 | 65 | 100 | 165 | 160 | - | - | 133 | - | - | - | 132 | - | - | 210 | - | - | - | 254 | 292 | 572 | 104 | 42 | |
| SHS 50-160/55 | 50 | 65 | 100 | 192 | 180 | - | 424 | 150 | - | - | - | 160 | - | - | 210 | - | - | - | 255 | 340 | 666 | 104 | 60 | |
| SHS 50-160/75 | 50 | 65 | 100 | 192 | 180 | - | 424 | 150 | - | - | - | 160 | - | - | 210 | - | - | - | 255 | 340 | 666 | 104 | 65 | |
| SHS 50-200/110A | 50 | 65 | 100 | 222 | 200 | 330 | - | 232 | 72 | 22 | 20 | 180 | 260 | 210 | 318 | 254 | 14 | 23 | 350 | 412 | 810 | 104 | 90 | |
| SHS 50-200/110 | 50 | 65 | 100 | 222 | 200 | 330 | - | 232 | 72 | 22 | 20 | 180 | 260 | 210 | 318 | 254 | 14 | 23 | 350 | 412 | 810 | 104 | 90 | |
| SHS 50-250/150 | 50 | 65 | 100 | 222 | 225 | 330 | - | 232 | 72 | 22 | 20 | 180 | 260 | 210 | 318 | 254 | 14 | 23 | 350 | 412 | 810 | 107 | 115 | |
| SHS 50-250/185 | 50 | 65 | 100 | 222 | 225 | 330 | - | 232 | 72 | 22 | 20 | 180 | 304 | 254 | 318 | 254 | 14 | 23 | 350 | 412 | 854 | 107 | 125 | |
| SHS 50-250/220 | 50 | 65 | 100 | 222 | 225 | 330 | - | 232 | 72 | 22 | 20 | 180 | 304 | 254 | 318 | 254 | 14 | 23 | 350 | 412 | 854 | 107 | 145 | |
| SHS 65-160/40 | 65 | 80 | 100 | 165 | 200 | - | - | 133 | - | - | - | 160 | - | - | 245 | - | - | - | 310 | 360 | 572 | 115 | 67 | |
| SHS 65-160/55 | 65 | 80 | 100 | 192 | 200 | - | 424 | 150 | - | - | - | 160 | - | - | 245 | - | - | - | 310 | 360 | 666 | 115 | 75 | |
| SHS 65-160/75 | 65 | 80 | 100 | 192 | 200 | - | 424 | 150 | - | - | - | 160 | - | - | 245 | - | - | - | 310 | 360 | 666 | 115 | 80 | |
| SHS 65-160/110A | 65 | 80 | 100 | 222 | 200 | 330 | - | 232 | 72 | 22 | 20 | 180 | 260 | 210 | 318 | 254 | 14 | 23 | 350 | 412 | 810 | 130 | 106 | |
| SHS 65-160/110 | 65 | 80 | 100 | 222 | 200 | 330 | - | 232 | 72 | 22 | 20 | 180 | 260 | 210 | 318 | 254 | 14 | 23 | 350 | 412 | 810 | 130 | 106 | |
| SHS 65-200/150 | 65 | 80 | 100 | 222 | 225 | 330 | - | 232 | 72 | 22 | 20 | 180 | 260 | 210 | 318 | 254 | 14 | 23 | 350 | 412 | 810 | 130 | 122 | |
| SHS 65-200/185 | 65 | 80 | 100 | 222 | 225 | 330 | - | 232 | 72 | 22 | 20 | 180 | 304 | 254 | 318 | 254 | 14 | 23 | 350 | 412 | 854 | 130 | 135 | |
| SHS 65-200/220 | 65 | 80 | 100 | 222 | 225 | 330 | - | 232 | 72 | 22 | 20 | 180 | 304 | 254 | 318 | 254 | 14 | 23 | 350 | 412 | 854 | 130 | 149 | |
| SHS 65-250/300 | 65 | 80 | 100 | 228 | 250 | 361 | - | 257 | 60 | 24 | - | 200 | 345 | 305 | 360 | 318 | 18 | 18 | 400 | 457 | 941 | 140 | 189 | |
| SHS 65-250/370 | 65 | 80 | 100 | 228 | 250 | 361 | - | 257 | 60 | 24 | - | 200 | 345 | 305 | 360 | 318 | 18 | 18 | 400 | 457 | 941 | 140 | 200 | |
| SHS 80-160/110 | 80 | 100 | 125 | 222 | 225 | 330 | - | 232 | 72 | 22 | 20 | 180 | 260 | 210 | 318 | 254 | 14 | 23 | 350 | 412 | 835 | 155 | 111 | |
| SHS 80-160/150 | 80 | 100 | 125 | 222 | 225 | 330 | - | 232 | 72 | 22 | 20 | 180 | 260 | 210 | 318 | 254 | 14 | 23 | 350 | 412 | 835 | 155 | 127 | |
| SHS 80-160/185 | 80 | 100 | 125 | 222 | 225 | 330 | - | 232 | 72 | 22 | 20 | 180 | 304 | 254 | 318 | 254 | 14 | 23 | 350 | 412 | 879 | 155 | 148 | |
| SHS 80-200/220 | 80 | 100 | 125 | 222 | 250 | 330 | - | 232 | 72 | 22 | 20 | 180 | 304 | 254 | 318 | 254 | 14 | 23 | 350 | 430 | 879 | 155 | 157 | |
| SHS 80-200/300 | 80 | 100 | 125 | 228 | 250 | 361 | - | 257 | 60 | 24 | - | 200 | 345 | 305 | 360 | 318 | 18 | 18 | 400 | 457 | 966 | 155 | 191 | |
| SHS 80-200/370 | 80 | 100 | 125 | 228 | 250 | 361 | - | 257 | 60 | 24 | - | 200 | 345 | 305 | 360 | 318 | 18 | 18 | 400 | 457 | 966 | 155 | 203 | |

SHS

DIMENSIONS AND WEIGHTS SHS4 SERIES, 4 POLES



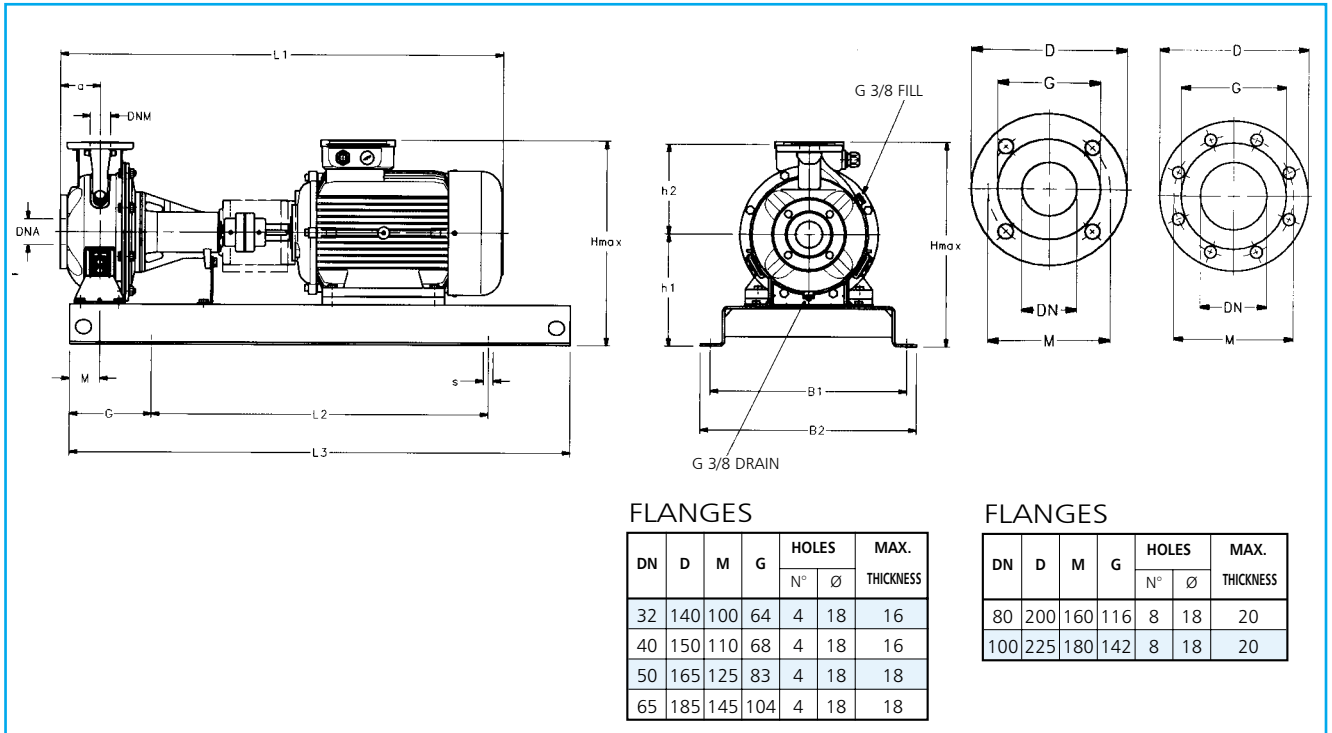
SHS

DIMENSIONS AND WEIGHTS SHS4 SERIES, 4 POLES

| PUMP TYPE | PUMP | | | | | | | DIMENSIONS IN mm | | | B | H max | L | k | WEIGHT kg |
|-----------------|------|-----|-----|-----|-----|-----|-----|------------------|-----|-----|-----|-------|-----|-----|-----------|
| | DNM | DNA | a | f | h2 | w1 | x | h1 | n | n1 | | | | | |
| SHS4 25-250/07 | 25 | 50 | 100 | 155 | 225 | - | 129 | 180 | 265 | - | 345 | 405 | 518 | 98 | 41 |
| SHS4 25-250/11 | 25 | 50 | 100 | 155 | 225 | - | 121 | 180 | 265 | - | 345 | 405 | 536 | 98 | 43 |
| SHS4 25-250/15 | 25 | 50 | 100 | 155 | 225 | - | 121 | 180 | 265 | - | 345 | 405 | 536 | 98 | 47 |
| SHS4 32-250/07 | 32 | 50 | 100 | 155 | 225 | - | 129 | 180 | 265 | 130 | 345 | 405 | 518 | 98 | 41 |
| SHS4 32-250/11 | 32 | 50 | 100 | 155 | 225 | - | 121 | 180 | 265 | 130 | 345 | 405 | 536 | 98 | 43 |
| SHS4 32-250/15 | 32 | 50 | 100 | 155 | 225 | - | 121 | 180 | 265 | 130 | 345 | 405 | 536 | 98 | 47 |
| SHS4 40-200/07 | 40 | 65 | 100 | 155 | 180 | - | 129 | 160 | 230 | 130 | 285 | 340 | 518 | 100 | 28 |
| SHS4 40-200/11 | 40 | 65 | 100 | 155 | 180 | - | 121 | 160 | 230 | 130 | 285 | 340 | 536 | 100 | 32 |
| SHS4 40-250/11 | 40 | 65 | 100 | 155 | 225 | - | 121 | 180 | 265 | 130 | 345 | 405 | 536 | 107 | 33 |
| SHS4 40-250/15 | 40 | 65 | 100 | 155 | 225 | - | 121 | 180 | 265 | 130 | 345 | 405 | 536 | 107 | 46 |
| SHS4 40-250/22 | 40 | 65 | 100 | 165 | 225 | - | 133 | 180 | 265 | 130 | 345 | 405 | 572 | 107 | 52 |
| SHS4 50-160/07 | 50 | 65 | 100 | 155 | 180 | - | 129 | 160 | 210 | 130 | 255 | 340 | 518 | 104 | 27 |
| SHS4 50-160/11 | 50 | 65 | 100 | 155 | 180 | - | 121 | 160 | 210 | 130 | 255 | 340 | 536 | 104 | 30 |
| SHS4 50-200/11 | 50 | 65 | 100 | 155 | 200 | - | 121 | 160 | 245 | 130 | 310 | 360 | 536 | 104 | 34 |
| SHS4 50-200/15 | 50 | 65 | 100 | 155 | 200 | - | 121 | 160 | 245 | 130 | 310 | 360 | 536 | 104 | 42 |
| SHS4 50-250/22A | 50 | 65 | 100 | 165 | 225 | - | 133 | 180 | 265 | 130 | 345 | 405 | 572 | 107 | 49 |
| SHS4 50-250/22 | 50 | 65 | 100 | 165 | 225 | - | 133 | 180 | 265 | 130 | 345 | 405 | 572 | 107 | 49 |
| SHS4 50-250/30 | 50 | 65 | 100 | 165 | 225 | - | 133 | 180 | 265 | 130 | 345 | 405 | 572 | 107 | 58 |
| SHS4 65-160/05 | 65 | 80 | 100 | 155 | 200 | - | 129 | 160 | 245 | 130 | 310 | 360 | 518 | 115 | 34 |
| SHS4 65-160/07 | 65 | 80 | 100 | 155 | 200 | - | 129 | 160 | 245 | 130 | 310 | 360 | 518 | 115 | 37 |
| SHS4 65-160/11A | 65 | 80 | 100 | 155 | 200 | - | 121 | 160 | 245 | 130 | 310 | 360 | 536 | 115 | 40 |
| SHS4 65-160/11 | 65 | 80 | 100 | 155 | 200 | - | 121 | 160 | 245 | 130 | 310 | 360 | 536 | 130 | 40 |
| SHS4 65-160/15 | 65 | 80 | 100 | 155 | 200 | - | 121 | 160 | 245 | 130 | 310 | 360 | 536 | 130 | 45 |
| SHS4 65-200/15 | 65 | 80 | 100 | 155 | 225 | - | 121 | 180 | 245 | 130 | 310 | 405 | 536 | 130 | 48 |
| SHS4 65-200/22 | 65 | 80 | 100 | 165 | 225 | - | 133 | 180 | 245 | 130 | 310 | 405 | 572 | 130 | 54 |
| SHS4 65-200/30 | 65 | 80 | 100 | 165 | 225 | - | 133 | 180 | 245 | 130 | 310 | 405 | 572 | 130 | 59 |
| SHS4 65-250/40 | 65 | 80 | 100 | 165 | 250 | - | 150 | 200 | 265 | 130 | 345 | 450 | 595 | 140 | 65 |
| SHS4 65-250/55 | 65 | 80 | 100 | 192 | 250 | 351 | 191 | 200 | 265 | 130 | 345 | 450 | 658 | 140 | 79 |
| SHS4 80-160/15 | 80 | 100 | 125 | 155 | 225 | - | 121 | 180 | 265 | 130 | 345 | 405 | 561 | 160 | 53 |
| SHS4 80-160/22A | 80 | 100 | 125 | 165 | 225 | - | 133 | 180 | 265 | 130 | 345 | 405 | 597 | 160 | 58 |
| SHS4 80-160/22 | 80 | 100 | 125 | 165 | 225 | - | 133 | 180 | 265 | 130 | 345 | 405 | 597 | 160 | 58 |
| SHS4 80-200/30 | 80 | 100 | 125 | 165 | 250 | - | 133 | 180 | 265 | 130 | 345 | 430 | 597 | 160 | 63 |
| SHS4 80-200/40 | 80 | 100 | 125 | 165 | 250 | - | 150 | 180 | 265 | 130 | 345 | 430 | 620 | 160 | 68 |
| SHS4 80-250/55 | 80 | 100 | 125 | 192 | 280 | 351 | 191 | 200 | 303 | 210 | 384 | 480 | 683 | 160 | 85 |
| SHS4 80-250/75 | 80 | 100 | 125 | 192 | 280 | 370 | 191 | 200 | 303 | 210 | 384 | 480 | 721 | 160 | 90 |
| SHS4 80-250/92 | 80 | 100 | 125 | 192 | 280 | 370 | 191 | 200 | 303 | 210 | 384 | 480 | 721 | 160 | 91 |



DIMENSIONS AND WEIGHTS SHF SERIES, 2 POLES



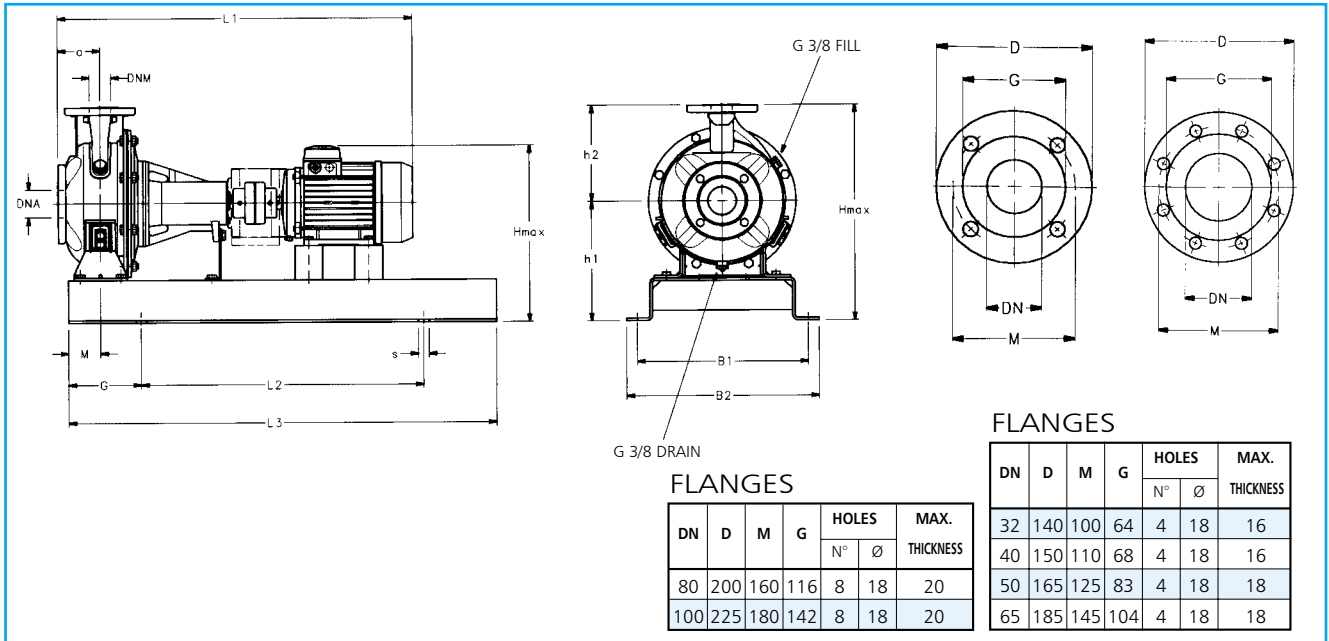
SH

DIMENSIONS AND WEIGHTS SHF SERIES, 2 POLES

| PUMP TYPE | DIMENSIONS (mm) | | | | | | | | | | | | | s for screws | WEIGHT kg |
|-----------------|-----------------|-----|-----|-----|-----|------|------|------|-----|----|-----|-----|------|-----------------|--------------|
| | DNM | DNA | a | B1 | B2 | L1 | L2 | L3 | G | M | h1 | h2 | Hmax | | |
| SHF 25-125/07 | 25 | 50 | 80 | 320 | 360 | 744 | 540 | 800 | 130 | 60 | 212 | 140 | 352 | M16 | 65 |
| SHF 25-125/11 | 25 | 50 | 80 | 320 | 360 | 744 | 540 | 800 | 130 | 60 | 212 | 140 | 352 | M16 | 67 |
| SHF 25-160/15 | 25 | 50 | 80 | 350 | 390 | 773 | 600 | 900 | 150 | 60 | 232 | 160 | 392 | M16 | 69 |
| SHF 25-160/22 | 25 | 50 | 80 | 350 | 390 | 773 | 600 | 900 | 150 | 60 | 232 | 160 | 392 | M16 | 71 |
| SHF 25-200/30 | 25 | 50 | 80 | 350 | 390 | 809 | 600 | 900 | 150 | 60 | 260 | 180 | 440 | M16 | 90 |
| SHF 25-200/40 | 25 | 50 | 80 | 350 | 390 | 832 | 600 | 900 | 150 | 60 | 260 | 180 | 440 | M16 | 94 |
| SHF 25-250/55 | 25 | 50 | 100 | 440 | 490 | 909 | 740 | 1120 | 190 | 75 | 280 | 225 | 505 | M20 | 126 |
| SHF 25-250/75 | 25 | 50 | 100 | 440 | 490 | 909 | 740 | 1120 | 190 | 75 | 280 | 225 | 505 | M20 | 131 |
| SHF 25-250/110 | 25 | 50 | 100 | 490 | 540 | 1061 | 840 | 1250 | 205 | 75 | 280 | 225 | 512 | M20 | 176 |
| SHF 32-125/07 | 32 | 50 | 80 | 320 | 360 | 744 | 540 | 800 | 130 | 60 | 212 | 140 | 352 | M16 | 65 |
| SHF 32-125/11 | 32 | 50 | 80 | 320 | 360 | 744 | 540 | 800 | 130 | 60 | 212 | 140 | 352 | M16 | 67 |
| SHF 32-160/15 | 32 | 50 | 80 | 350 | 390 | 773 | 600 | 900 | 150 | 60 | 232 | 160 | 392 | M16 | 69 |
| SHF 32-160/22 | 32 | 50 | 80 | 350 | 390 | 773 | 600 | 900 | 150 | 60 | 232 | 160 | 392 | M16 | 71 |
| SHF 32-200/30 | 32 | 50 | 80 | 350 | 390 | 809 | 600 | 900 | 150 | 60 | 260 | 180 | 440 | M16 | 90 |
| SHF 32-200/40 | 32 | 50 | 80 | 350 | 390 | 832 | 600 | 900 | 150 | 60 | 260 | 180 | 440 | M16 | 94 |
| SHF 32-250/55 | 32 | 50 | 100 | 440 | 490 | 909 | 740 | 1120 | 190 | 75 | 280 | 225 | 505 | M20 | 126 |
| SHF 32-250/75 | 32 | 50 | 100 | 440 | 490 | 909 | 740 | 1120 | 190 | 75 | 280 | 225 | 505 | M20 | 131 |
| SHF 32-250/110 | 32 | 50 | 100 | 490 | 540 | 1061 | 840 | 1250 | 205 | 75 | 280 | 225 | 512 | M20 | 176 |
| SHF 40-125/11 | 40 | 65 | 80 | 320 | 360 | 744 | 540 | 800 | 130 | 60 | 212 | 140 | 352 | M16 | 68 |
| SHF 40-125/15 | 40 | 65 | 80 | 350 | 390 | 773 | 600 | 900 | 150 | 60 | 212 | 140 | 352 | M16 | 70 |
| SHF 40-125/22 | 40 | 65 | 80 | 350 | 390 | 773 | 600 | 900 | 150 | 60 | 212 | 140 | 352 | M16 | 73 |
| SHF 40-160/30 | 40 | 65 | 80 | 350 | 390 | 809 | 600 | 900 | 150 | 60 | 232 | 160 | 392 | M16 | 87 |
| SHF 40-160/40 | 40 | 65 | 80 | 350 | 390 | 832 | 600 | 900 | 150 | 60 | 232 | 160 | 392 | M16 | 93 |
| SHF 40-200/55 | 40 | 65 | 100 | 400 | 450 | 909 | 660 | 1000 | 170 | 60 | 260 | 180 | 451 | M20 | 108 |
| SHF 40-200/75 | 40 | 65 | 100 | 400 | 450 | 909 | 660 | 1000 | 170 | 60 | 260 | 180 | 451 | M20 | 116 |
| SHF 40-250/110A | 40 | 65 | 100 | 490 | 540 | 1061 | 840 | 1250 | 205 | 75 | 280 | 225 | 512 | M20 | 174 |
| SHF 40-250/110 | 40 | 65 | 100 | 490 | 540 | 1061 | 840 | 1250 | 205 | 75 | 280 | 225 | 512 | M20 | 174 |
| SHF 40-250/150 | 40 | 65 | 100 | 490 | 540 | 1061 | 840 | 1250 | 205 | 75 | 280 | 225 | 512 | M20 | 184 |
| SHF 50-125/22 | 50 | 65 | 100 | 350 | 390 | 793 | 600 | 900 | 150 | 60 | 232 | 160 | 392 | M16 | 80 |
| SHF 50-125/30 | 50 | 65 | 100 | 350 | 390 | 829 | 600 | 900 | 150 | 60 | 232 | 160 | 392 | M16 | 87 |
| SHF 50-125/40 | 50 | 65 | 100 | 350 | 390 | 852 | 600 | 900 | 150 | 60 | 232 | 160 | 392 | M16 | 92 |
| SHF 50-160/55 | 50 | 65 | 100 | 400 | 450 | 909 | 660 | 1000 | 170 | 60 | 260 | 180 | 451 | M20 | 106 |
| SHF 50-160/75 | 50 | 65 | 100 | 400 | 450 | 909 | 660 | 1000 | 170 | 60 | 260 | 180 | 451 | M20 | 110 |
| SHF 50-200/110A | 50 | 65 | 100 | 440 | 490 | 1061 | 740 | 1120 | 190 | 60 | 260 | 200 | 492 | M20 | 168 |
| SHF 50-200/110 | 50 | 65 | 100 | 440 | 490 | 1061 | 740 | 1120 | 190 | 60 | 260 | 200 | 492 | M20 | 168 |
| SHF 50-250/150 | 50 | 65 | 100 | 490 | 540 | 1061 | 840 | 1250 | 205 | 75 | 280 | 225 | 512 | M20 | 174 |
| SHF 50-250/185 | 50 | 65 | 100 | 490 | 540 | 1105 | 840 | 1250 | 205 | 75 | 280 | 225 | 512 | M20 | 194 |
| SHF 50-250/220 | 50 | 65 | 100 | 490 | 540 | 1111 | 840 | 1250 | 205 | 75 | 280 | 225 | 510 | M20 | 214 |
| SHF 65-160/40 | 65 | 80 | 100 | 400 | 450 | 852 | 660 | 1000 | 170 | 75 | 260 | 200 | 460 | M20 | 130 |
| SHF 65-160/55 | 65 | 80 | 100 | 440 | 490 | 909 | 740 | 1120 | 190 | 75 | 260 | 200 | 460 | M20 | 136 |
| SHF 65-160/75 | 65 | 80 | 100 | 440 | 490 | 909 | 740 | 1120 | 190 | 75 | 260 | 200 | 460 | M20 | 142 |
| SHF 65-160/110A | 65 | 80 | 100 | 490 | 540 | 1061 | 840 | 1250 | 205 | 75 | 260 | 200 | 492 | M20 | 157 |
| SHF 65-160/110 | 65 | 80 | 100 | 490 | 540 | 1061 | 840 | 1250 | 205 | 75 | 260 | 200 | 492 | M20 | 157 |
| SHF 65-200/150 | 65 | 80 | 100 | 490 | 540 | 1061 | 840 | 1250 | 205 | 75 | 280 | 225 | 512 | M20 | 180 |
| SHF 65-200/185 | 65 | 80 | 100 | 490 | 540 | 1105 | 840 | 1250 | 205 | 75 | 280 | 225 | 512 | M20 | 192 |
| SHF 65-200/220 | 65 | 80 | 100 | 490 | 540 | 1111 | 840 | 1250 | 205 | 75 | 280 | 225 | 510 | M20 | 208 |
| SHF 65-250/300 | 65 | 80 | 100 | 550 | 610 | 1296 | 940 | 1400 | 230 | 90 | 310 | 250 | 557 | M24 | 271 |
| SHF 65-250/370 | 65 | 80 | 100 | 550 | 610 | 1296 | 940 | 1400 | 230 | 90 | 310 | 250 | 557 | M24 | 296 |
| SHF 80-160/110 | 80 | 100 | 125 | 490 | 540 | 1086 | 840 | 1250 | 205 | 75 | 280 | 225 | 512 | M20 | 193 |
| SHF 80-160/150 | 80 | 100 | 125 | 490 | 540 | 1086 | 840 | 1250 | 205 | 75 | 280 | 225 | 512 | M20 | 204 |
| SHF 80-160/185 | 80 | 100 | 125 | 490 | 540 | 1130 | 840 | 1250 | 205 | 75 | 280 | 225 | 512 | M20 | 225 |
| SHF 80-200/220 | 80 | 100 | 125 | 490 | 540 | 1246 | 840 | 1250 | 205 | 75 | 280 | 250 | 530 | M20 | 236 |
| SHF 80-200/300 | 80 | 100 | 125 | 550 | 610 | 1321 | 940 | 1400 | 230 | 75 | 310 | 250 | 557 | M24 | 277 |
| SHF 80-200/370 | 80 | 100 | 125 | 550 | 610 | 1321 | 940 | 1400 | 230 | 75 | 310 | 250 | 557 | M24 | 295 |
| SHF 80-250/450 | 80 | 100 | 125 | 550 | 610 | 1398 | 940 | 1400 | 230 | 90 | 365 | 280 | 605 | M24 | 355 |
| SHF 80-250/550 | 80 | 100 | 125 | 600 | 660 | 1428 | 1060 | 1600 | 270 | 90 | 390 | 280 | 660 | M24 | 394 |
| SHF 80-250/750 | 80 | 100 | 125 | 670 | 730 | 1558 | 1200 | 1800 | 300 | 90 | 420 | 280 | 735 | M24 | 510 |

SH

DIMENSIONS AND WEIGHTS SHF4 SERIES, 4 POLES

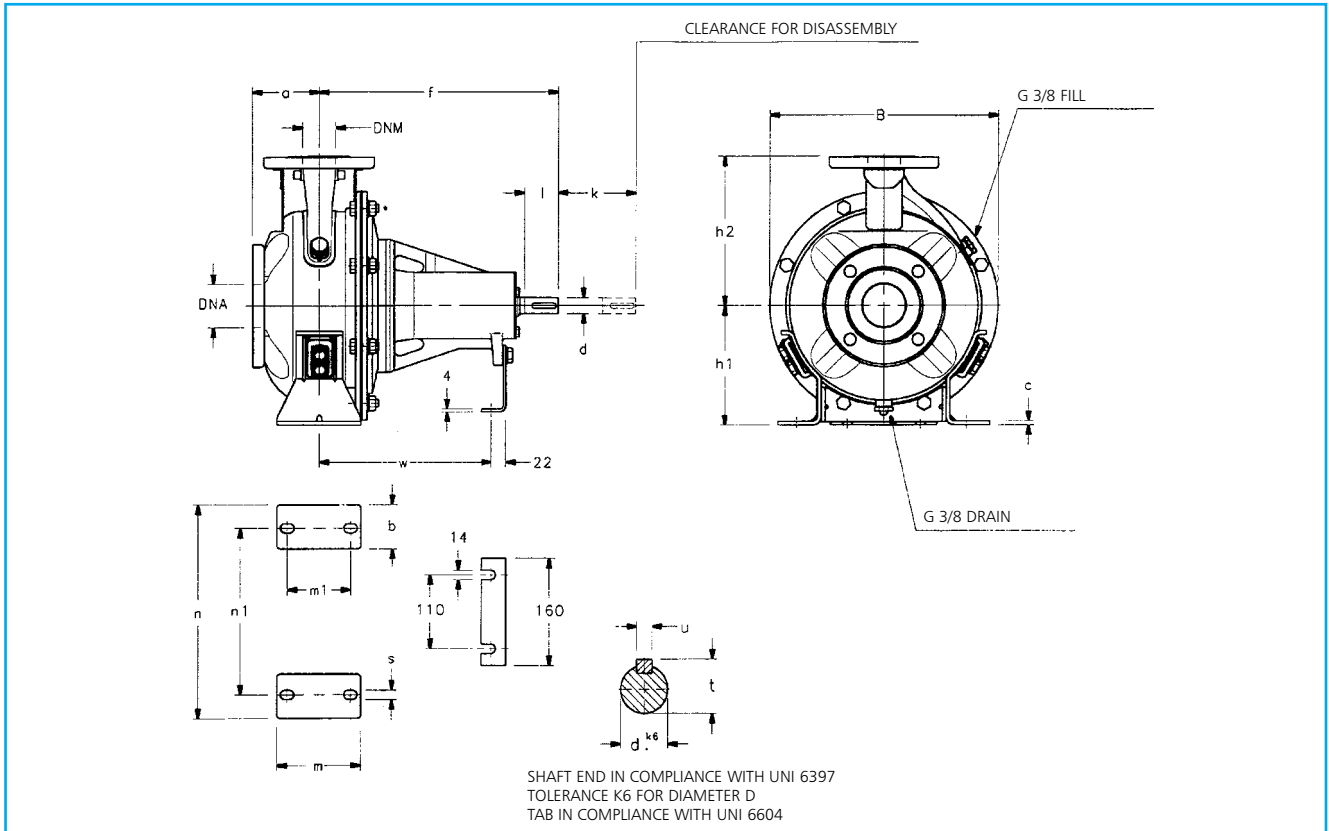


DIMENSIONS AND WEIGHTS SHF4 SERIES, 4 POLES

| PUMP TYPE | DIMENSIONS (mm) | | | | | | | | | | | | | s for screws | WEIGHT kg |
|-----------------|-----------------|-----|-----|-----|-----|------|-----|------|-----|----|-----|-----|------|-----------------|--------------|
| | DNM | DNA | a | B1 | B2 | L1 | L2 | L3 | G | M | h1 | h2 | Hmax | | |
| SHF4 25-125/02A | 25 | 50 | 80 | 320 | 360 | 702 | 540 | 800 | 130 | 60 | 212 | 140 | 352 | M16 | 72 |
| SHF4 25-125/02 | 25 | 50 | 80 | 320 | 360 | 702 | 540 | 800 | 130 | 60 | 212 | 140 | 352 | M16 | 72 |
| SHF4 25-160/02 | 25 | 50 | 80 | 320 | 360 | 702 | 540 | 800 | 130 | 60 | 232 | 160 | 392 | M16 | 74 |
| SHF4 25-160/03 | 25 | 50 | 80 | 320 | 360 | 702 | 540 | 800 | 130 | 60 | 232 | 160 | 392 | M16 | 76 |
| SHF4 25-200/03 | 25 | 50 | 80 | 320 | 360 | 702 | 540 | 800 | 130 | 60 | 260 | 180 | 440 | M16 | 78 |
| SHF4 25-200/05 | 25 | 50 | 80 | 320 | 360 | 744 | 540 | 800 | 130 | 60 | 260 | 180 | 440 | M16 | 80 |
| SHF4 25-250/07 | 25 | 50 | 100 | 400 | 450 | 764 | 660 | 1000 | 170 | 75 | 280 | 225 | 505 | M20 | 97 |
| SHF4 25-250/11 | 25 | 50 | 100 | 400 | 450 | 793 | 660 | 1000 | 170 | 75 | 280 | 225 | 505 | M20 | 100 |
| SHF4 25-250/15 | 25 | 50 | 100 | 400 | 450 | 793 | 660 | 1000 | 170 | 75 | 280 | 225 | 505 | M20 | 102 |
| SHF4 32-125/02A | 32 | 50 | 80 | 320 | 360 | 702 | 540 | 800 | 130 | 60 | 212 | 140 | 352 | M16 | 72 |
| SHF4 32-125/02 | 32 | 50 | 80 | 320 | 360 | 702 | 540 | 800 | 130 | 60 | 212 | 140 | 352 | M16 | 72 |
| SHF4 32-160/02 | 32 | 50 | 80 | 320 | 360 | 702 | 540 | 800 | 130 | 60 | 232 | 160 | 392 | M16 | 74 |
| SHF4 32-160/03 | 32 | 50 | 80 | 320 | 360 | 702 | 540 | 800 | 130 | 60 | 232 | 160 | 392 | M16 | 76 |
| SHF4 32-200/03 | 32 | 50 | 80 | 320 | 360 | 702 | 540 | 800 | 130 | 60 | 260 | 180 | 440 | M16 | 78 |
| SHF4 32-200/05 | 32 | 50 | 80 | 320 | 360 | 744 | 540 | 800 | 130 | 60 | 260 | 180 | 440 | M16 | 80 |
| SHF4 32-250/07 | 32 | 50 | 100 | 400 | 450 | 764 | 660 | 1000 | 170 | 75 | 280 | 225 | 505 | M20 | 97 |
| SHF4 32-250/11 | 32 | 50 | 100 | 400 | 450 | 793 | 660 | 1000 | 170 | 75 | 280 | 225 | 505 | M20 | 100 |
| SHF4 32-250/15 | 32 | 50 | 100 | 400 | 450 | 793 | 660 | 1000 | 170 | 75 | 280 | 225 | 505 | M20 | 102 |
| SHF4 40-125/02A | 40 | 65 | 80 | 320 | 360 | 702 | 540 | 800 | 130 | 60 | 212 | 140 | 352 | M16 | 57 |
| SHF4 40-125/02 | 40 | 65 | 80 | 320 | 360 | 702 | 540 | 800 | 130 | 60 | 212 | 140 | 352 | M16 | 57 |
| SHF4 40-125/03 | 40 | 65 | 80 | 320 | 360 | 702 | 540 | 800 | 130 | 60 | 212 | 140 | 352 | M16 | 58 |
| SHF4 40-160/03 | 40 | 65 | 80 | 320 | 360 | 702 | 540 | 800 | 130 | 60 | 232 | 160 | 392 | M16 | 60 |
| SHF4 40-160/05 | 40 | 65 | 80 | 320 | 360 | 744 | 540 | 800 | 130 | 60 | 232 | 160 | 392 | M16 | 62 |
| SHF4 40-200/07 | 40 | 65 | 100 | 350 | 390 | 764 | 600 | 900 | 150 | 60 | 260 | 180 | 440 | M16 | 69 |
| SHF4 40-200/11 | 40 | 65 | 100 | 350 | 390 | 793 | 600 | 900 | 150 | 60 | 260 | 180 | 440 | M16 | 72 |
| SHF4 40-250/11 | 40 | 65 | 100 | 400 | 450 | 793 | 660 | 1000 | 170 | 75 | 280 | 225 | 505 | M20 | 99 |
| SHF4 40-250/15 | 40 | 65 | 100 | 400 | 450 | 793 | 660 | 1000 | 170 | 75 | 280 | 225 | 505 | M20 | 102 |
| SHF4 40-250/22 | 40 | 65 | 100 | 400 | 450 | 829 | 660 | 1000 | 170 | 75 | 280 | 225 | 505 | M20 | 115 |
| SHF4 50-125/03A | 50 | 65 | 100 | 320 | 360 | 722 | 540 | 800 | 130 | 60 | 232 | 160 | 392 | M16 | 59 |
| SHF4 50-125/03 | 50 | 65 | 100 | 320 | 360 | 722 | 540 | 800 | 130 | 60 | 232 | 160 | 392 | M16 | 59 |
| SHF4 50-125/05 | 50 | 65 | 100 | 320 | 360 | 764 | 540 | 800 | 130 | 60 | 260 | 180 | 440 | M16 | 61 |
| SHF4 50-160/07 | 50 | 65 | 100 | 350 | 390 | 764 | 600 | 900 | 150 | 60 | 260 | 180 | 440 | M16 | 68 |
| SHF4 50-160/11 | 50 | 65 | 100 | 350 | 390 | 793 | 600 | 900 | 150 | 60 | 260 | 200 | 460 | M16 | 71 |
| SHF4 50-200/11 | 50 | 65 | 100 | 350 | 390 | 793 | 600 | 900 | 150 | 60 | 260 | 200 | 460 | M16 | 82 |
| SHF4 50-200/15 | 50 | 65 | 100 | 350 | 390 | 793 | 600 | 900 | 150 | 60 | 260 | 200 | 460 | M16 | 85 |
| SHF4 50-250/22A | 50 | 65 | 100 | 400 | 450 | 829 | 660 | 1000 | 170 | 75 | 280 | 225 | 505 | M20 | 116 |
| SHF4 50-250/22 | 50 | 65 | 100 | 400 | 450 | 829 | 660 | 1000 | 170 | 75 | 280 | 225 | 505 | M20 | 116 |
| SHF4 50-250/30 | 50 | 65 | 100 | 400 | 450 | 829 | 660 | 1000 | 170 | 75 | 280 | 225 | 505 | M20 | 120 |
| SHF4 65-160/05 | 65 | 80 | 100 | 350 | 390 | 764 | 600 | 900 | 150 | 75 | 260 | 200 | 460 | M16 | 84 |
| SHF4 65-160/07 | 65 | 80 | 100 | 350 | 390 | 764 | 600 | 900 | 150 | 75 | 260 | 200 | 460 | M16 | 85 |
| SHF4 65-160/11A | 65 | 80 | 100 | 400 | 450 | 793 | 660 | 1000 | 170 | 75 | 260 | 200 | 460 | M20 | 88 |
| SHF4 65-160/11 | 65 | 80 | 100 | 400 | 450 | 793 | 660 | 1000 | 170 | 75 | 260 | 200 | 460 | M20 | 88 |
| SHF4 65-160/15 | 65 | 80 | 100 | 400 | 450 | 793 | 660 | 1000 | 170 | 75 | 260 | 200 | 460 | M20 | 91 |
| SHF4 65-200/15 | 65 | 80 | 100 | 400 | 450 | 793 | 660 | 1000 | 170 | 75 | 280 | 225 | 505 | M20 | 103 |
| SHF4 65-200/22 | 65 | 80 | 100 | 440 | 490 | 829 | 740 | 1120 | 190 | 75 | 280 | 225 | 505 | M20 | 117 |
| SHF4 65-200/30 | 65 | 80 | 100 | 440 | 490 | 829 | 740 | 1120 | 190 | 75 | 280 | 225 | 505 | M20 | 121 |
| SHF4 65-250/40 | 65 | 80 | 100 | 440 | 490 | 962 | 740 | 1120 | 190 | 90 | 310 | 250 | 550 | M20 | 158 |
| SHF4 65-250/55 | 65 | 80 | 100 | 440 | 490 | 1019 | 740 | 1120 | 190 | 90 | 310 | 250 | 550 | M20 | 174 |
| SHF4 80-160/15 | 80 | 100 | 125 | 400 | 450 | 818 | 660 | 1000 | 170 | 75 | 280 | 225 | 505 | M20 | 121 |
| SHF4 80-160/22A | 80 | 100 | 125 | 440 | 490 | 854 | 740 | 1120 | 190 | 75 | 280 | 225 | 505 | M20 | 127 |
| SHF4 80-160/22 | 80 | 100 | 125 | 440 | 490 | 854 | 740 | 1120 | 190 | 75 | 280 | 225 | 505 | M20 | 127 |
| SHF4 80-200/30 | 80 | 100 | 125 | 440 | 490 | 964 | 740 | 1120 | 190 | 75 | 280 | 250 | 530 | M20 | 146 |
| SHF4 80-200/40 | 80 | 100 | 125 | 440 | 490 | 987 | 740 | 1120 | 190 | 75 | 280 | 250 | 530 | M20 | 151 |
| SHF4 80-250/55 | 80 | 100 | 125 | 490 | 540 | 1044 | 840 | 1250 | 205 | 90 | 310 | 280 | 580 | M20 | 175 |
| SHF4 80-250/75 | 80 | 100 | 125 | 490 | 540 | 1082 | 840 | 1250 | 205 | 90 | 310 | 280 | 580 | M20 | 185 |
| SHF4 80-250/92 | 80 | 100 | 125 | 490 | 540 | 1082 | 840 | 1250 | 205 | 90 | 310 | 280 | 580 | M20 | 185 |

HS

SHF BARE SHAFT SERIES DIMENSIONS AND WEIGHTS



| PUMP TYPE | DIMENSIONS (mm) | | | | | | | | B | k | WEIGHT kg |
|------------|-----------------|-----|-----|----|-----|-----|-----|-----|-----|----|--------------|
| | DNM | DNA | a | d | f | h1 | h2 | | | | |
| SHF 32-125 | 32 | 50 | 80 | 24 | 360 | 112 | 140 | 218 | 98 | 16 | |
| SHF 32-160 | 32 | 50 | 80 | 24 | 360 | 132 | 160 | 253 | 98 | 18 | |
| SHF 32-200 | 32 | 50 | 80 | 24 | 360 | 160 | 180 | 285 | 98 | 20 | |
| SHF 32-250 | 32 | 50 | 100 | 24 | 360 | 180 | 225 | 345 | 98 | 36 | |
| SHF 40-125 | 40 | 65 | 80 | 24 | 360 | 112 | 140 | 219 | 100 | 17 | |
| SHF 40-160 | 40 | 65 | 80 | 24 | 360 | 132 | 160 | 254 | 100 | 18 | |
| SHF 40-200 | 40 | 65 | 100 | 24 | 360 | 160 | 180 | 285 | 100 | 20 | |
| SHF 40-250 | 40 | 65 | 100 | 24 | 360 | 180 | 225 | 345 | 100 | 36 | |
| SHF 50-125 | 50 | 65 | 100 | 24 | 360 | 132 | 160 | 254 | 100 | 18 | |
| SHF 50-160 | 50 | 65 | 100 | 24 | 360 | 160 | 180 | 255 | 100 | 19 | |
| SHF 50-200 | 50 | 65 | 100 | 24 | 360 | 160 | 200 | 310 | 100 | 30 | |
| SHF 50-250 | 50 | 65 | 100 | 24 | 360 | 180 | 225 | 345 | 100 | 36 | |
| SHF 65-160 | 65 | 80 | 100 | 24 | 360 | 160 | 200 | 310 | 100 | 21 | |
| SHF 65-200 | 65 | 80 | 100 | 24 | 360 | 180 | 225 | 310 | 100 | 31 | |
| SHF 65-250 | 65 | 80 | 100 | 32 | 470 | 200 | 250 | 345 | 130 | 42 | |
| SHF 80-160 | 80 | 100 | 125 | 24 | 360 | 180 | 225 | 345 | 140 | 22 | |
| SHF 80-200 | 80 | 100 | 125 | 32 | 470 | 180 | 250 | 345 | 140 | 37 | |
| SHF 80-250 | 80 | 100 | 125 | 32 | 470 | 200 | 280 | 384 | 140 | 43 | |